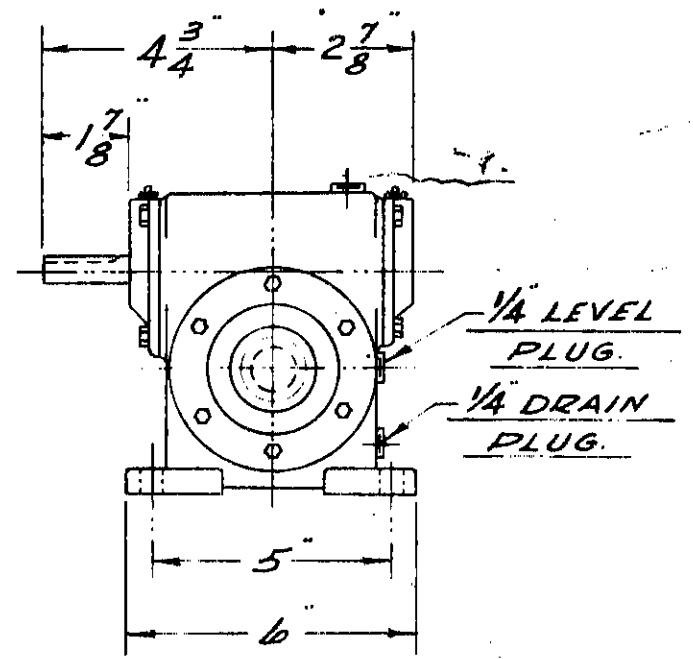
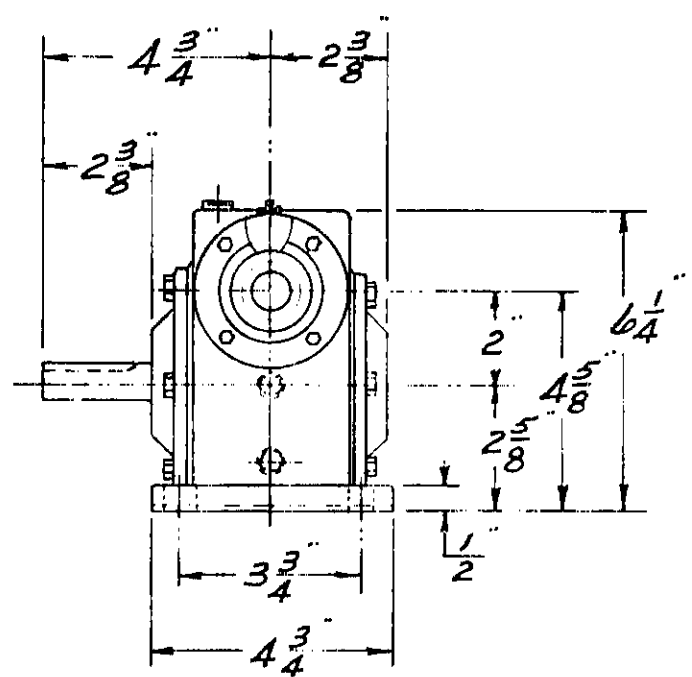
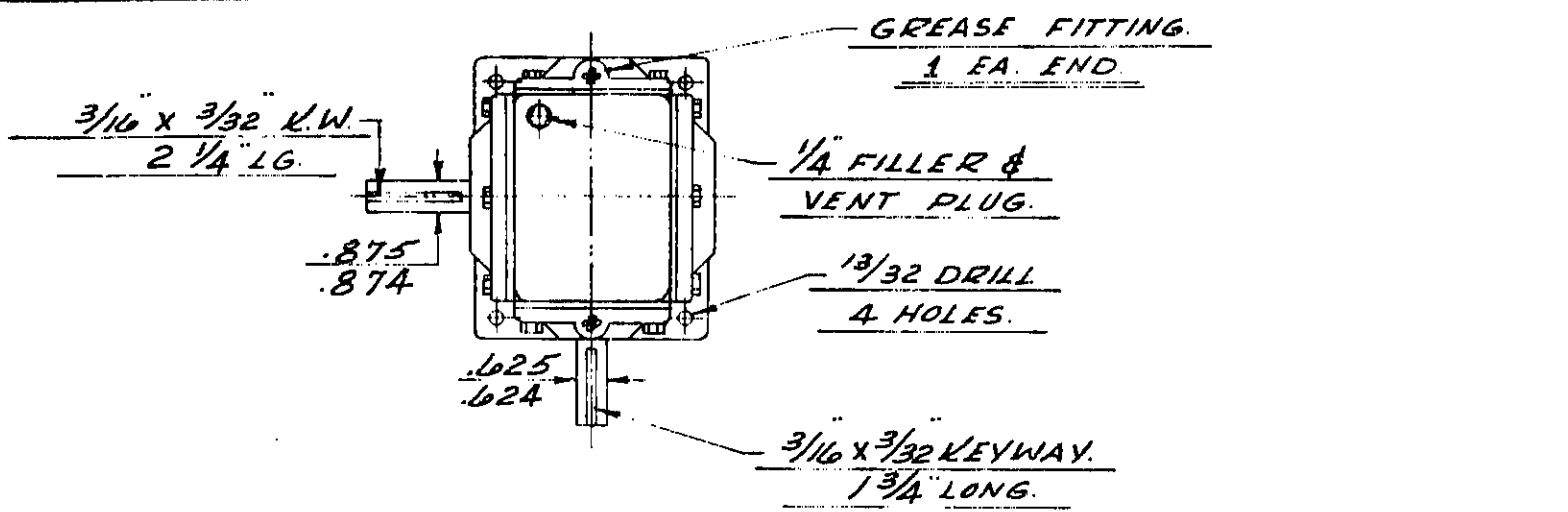


REVISIONS	
F	SUPERSEDES DMG. A 33-4 F DATED 8-17-54 GREASE FIT. ADDED TO H.S. ENDS.



OUTLINE STANDARD ASSEMBLY 1-L	MOUNTING FLOOR	WINSMITH, INC. SPRINGVILLE, ERIE CO., N. Y.	
UNIT 3 CT WORM GEAR REDUCER	RATIO	DATE	A 33-4 F
CERTIFIED CORRECT FOR	ORDER NO.	DRAWN BY LK	
	APPROVED BY	DATE 9-28-56 CHECKED BY JG SCALE 3" = 1'-0"	