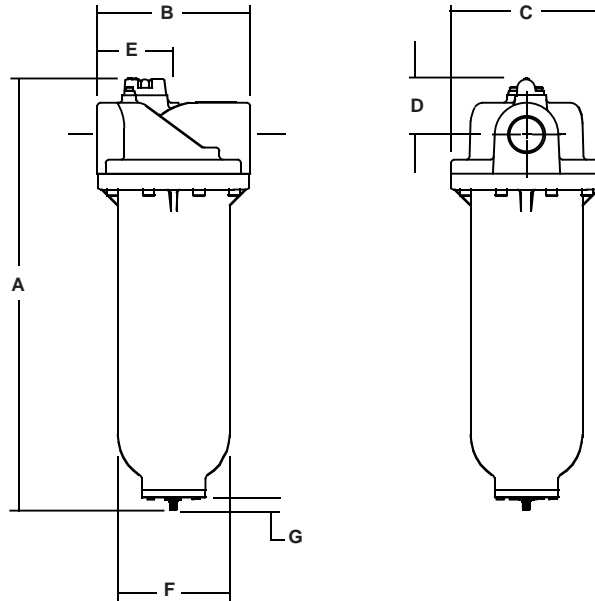


# High Flow Compressed Air Filters



**W**ilkerson designed and developed a series of filters to service demanding compressed air applications. This filter series expands the design choices in the medium to high flow ranges by offering threaded pipe connections between 1½" to 3". These rugged, high-flow particulate and coalescing filters are ideally suited for handling many dryer and main line filtration requirements. In addition, these filters are an excellent alternative to filters of fabricated construction when comparing flow capacities and cost.

- Heavy-duty cast aluminum housings to withstand operating pressures up to 300 psig.
- Differential pressure indicator to eliminate the guesswork of element replacement.
- Unique drain mounting plate design offers a trouble-free method for interchanging and installing external drains. The removable plates are drilled and tapped to accommodate ¼" or ½" drain connections.
- High-flow filter elements: Particulate at 5 micron and Coalescing, 1 micron and 0.01 micron.
- Threaded port connections: 1½" to 3" NPT.



**NOTE:** Automatic internal float drain shown is included on F/M 35 filter with F00 suffix. All other models include drain plate with 1/2" NPT drain port standard.

## Dimensions

Models	Inches mm	A	B	C	D	E	F	G
F/M 35		19.07	7.8	7.75	2.83	3.9	5.71	.55
		484	198	196	71	99	145	14
F/M 36		22.34	7.8	7.75	2.83	3.9	5.71	.55
		567	198	196	71	99	145	14
F/M 37		34.21	7.8	7.75	2.83	3.9	5.71	.55
		868	198	196	71	99	145	14
F/M 43		28.89	9.0	8.88	3.48	4.5	6.79	.55
		733	228	225	88	114	172	14
M45		35.45	9.0	8.88	3.48	4.5	6.79	.55
		900	228	225	88	114	172	14

## Operating Conditions

Description	Maximum Temperature	Maximum Pressure
Particulate Filters	150° F	150 PSIG with DP indicator 300 PSIG without DP Indicator
Coalescing Filters	150° F	150 PSIG with DP indicator 300 PSIG without DP Indicator

## Materials of Construction

Description	Particulate Filters	Coalescing Filters
Body	Aluminum	Aluminum
Bowl	Aluminum	Aluminum
Deflector	Plated Steel	Plastic
Stud	Plated Steel	Plated Steel
Baffle	Plated Steel	Aluminum
Element	Polyethylene/Polypropylene	Borosilicate Glass Fibers
Seals	Fluorocarbon	Fluorocarbon

## Ordering Information

Model No.	Rated Flow* (SCFM)	Port Size	Standard Drain Configuration	Replacement Element
<b>Particulate Filters —</b>				
<b>Type A, 5 Micron ELEMENT</b>				
F35-0A-000	1050	1½"	½" TAPPED PORT	FRP-95-505
F35-0B-000	1050	1½"	½" TAPPED PORT	FRP-95-505
F35-0B-F00	1050	1½"	INTERNAL FLOAT	FRP-95-505
F35-0B-H00	1050	1½"	½" TAPPED PORT	FRP-95-505
F35-0C-000	1160	2"	½" TAPPED PORT	FRP-95-505
F35-0C-F00	1160	2"	INTERNAL FLOAT	FRP-95-505
F35-0C-H00	1160	2"	½" TAPPED PORT	FRP-95-505
F36-0C-000	1180	2"	½" TAPPED PORT	FRP-95-506
F36-0C-H00	1180	2"	½" TAPPED PORT	FRP-95-506
F37-0C-000	1300	2"	½" TAPPED PORT	FRP-95-507
F37-0C-H00	1300	2"	½" TAPPED PORT	FRP-95-507
F43-0E-000	2300	3"	½" TAPPED PORT	FRP-95-508
F43-0E-H00	2300	3"	½" TAPPED PORT	FRP-95-508
<b>Coalescing Filters —</b>				
<b>Type B, 1 Micron ELEMENT</b>				
M35-0B-FS0	330	1½"	INTERNAL FLOAT	MSP-95-502
M35-0B-S00	330	1½"	½" TAPPED PORT	MSP-95-502
M35-0C-FS0	340	2"	INTERNAL FLOAT	MSP-95-502
M35-0C-S00	340	2"	½" TAPPED PORT	MSP-95-502
M36-0C-S00	440	2"	½" TAPPED PORT	MSP-95-503
M37-0C-S00	650	2"	½" TAPPED PORT	MSP-95-504
M43-0E-S00	850	3"	½" TAPPED PORT	MSP-95-876
M45-0E-S00	1100	3"	½" TAPPED PORT	MSP-95-500
<b>Type C, 0.01 Micron ELEMENT</b>				
M35-0B-000	330	1½"	½" TAPPED PORT	MTP-95-502
M35-0B-F00	330	1½"	INTERNAL FLOAT	MTP-95-502
M35-0C-000	340	2"	½" TAPPED PORT	MTP-95-502
M35-0C-F00	340	2"	INTERNAL FLOAT	MTP-95-502
M36-0C-000	440	2"	½" TAPPED PORT	MTP-95-503
M37-0C-000	650	2"	½" TAPPED PORT	MTP-95-504
M43-0E-000	850	3"	½" TAPPED PORT	MTP-95-562
M45-0E-000	1100	3"	½" TAPPED PORT	MTP-95-500
<b>Type D, Vapor Removing, ACTIVATED CHARCOAL ELEMENT</b>				
M35-0B-X00	520	1½"	½" TAPPED PORT	MXP-95-502
M35-0C-X00	540	2"	½" TAPPED PORT	MXP-95-502
M36-0C-X00	700	2"	½" TAPPED PORT	MXP-95-503
M37-0C-X00	820	2"	½" TAPPED PORT	MXP-95-504
M43-0E-X00	1260	3"	½" TAPPED PORT	MXP-95-565
M45-0E-X00	1485	3"	½" TAPPED PORT	MXP-95-500

\* INLET PRESSURE 100 PSIG. 5 PSID PARTICULATE AND 1.5 PSID COALESCING FILTERS.

FOR HIGH PRESSURE OPTION ORDER WITH H00 SUFFIX (150-300 PSIG RANGE). H00 UNITS SUPPLIED WITHOUT DP2 INDICATOR OR AN AUTOMATIC MECHANICAL DRAIN.

FOR 300 PSIG RATED DRAIN ORDER DRAIN PLATE KIT GRP-95-392 (¼" NPT) AND ELECTRIC DRAIN VALVE X17-02-000.

## Accessories

DRAIN PLATE KIT (.56 DIA.) .....	GRP-95-391
DRAIN PLATE KIT (¼" NPT) .....	GRP-95-392
DRAIN PLATE KIT (½" NPT) .....	GRP-95-393
O-RING KIT, 3X HEAD .....	GRP-95-291
O-RING KIT, 4X HEAD .....	GRP-95-290
INTERNAL FLOAT DRAIN MECHANISM (WITH VITON SEALS) .....	GRP-95-981
EXTERNAL AUTOMATIC DRAIN (INCLUDING GRP-95-981 ABOVE) .....	X02-XX-000

SEE WILKERSON COMPRESSED AIR TREATMENT AND CONTROL CATALOG FOR ALL DRAIN OPTIONS

## Distributed Worldwide

Wilkerson Corporation offers a complete line of innovative fluid power products with features and operating characteristics that meet customer expectations of quality, performance, reliability and value. Wilkerson representatives are located in most major cities throughout the world with additional sales affiliates in North and South America, Europe, Africa, Asia and the Pacific Rim Basin.

[www.wilkersoncorp.com](http://www.wilkersoncorp.com)

**WILKERSON**  
CORPORATION

1201 W. Mansfield Avenue  
Englewood, Colorado 80110

Main (303) 761-7601  
Fax (303) 783-2300

Sales Support

(888) 223-5126  
(303) 783-2330

Applications Engineering

(888) 223-5146  
(303) 783-2310

Wilkerson GmbH

Bonnenbroicherstr. 11-15  
D-41238 Mönchengladbach  
Germany  
Tel 49-2166-92197-0  
Fax 49-2166-92197-1



WILKERSON CORPORATION  
REGISTERED TO ISO 9001  
CERTIFICATE NO. A2192



Certificate No. FM21121



9CW-YM-251 1/99  
Printed in the U.S.A.

**Buy from your Local Distributor**