



ENAPART



93 S Railroad Avenue Unit C
Bergenfield NJ 07621 USA
www.enapart.com
sales@enapart.com



Via del Canneto 35,
Borgosatollo, Brescia - Italia
www.enapart.it
vendite@enapart.it



Barbaros Mah. Ihlamur Bul. Aĝaoĝlu
My Newwork No:3/15 Ataşehir / İstanbul
www.enapart.net
satis@enapart.net



PRIVADA 10 B SUR #3908 COL.
ANZUREZ, C.P. 72530, PUEBLA, PUE
www.enapart.com.mx
sales@enapart.com.mx



Friedrich-Ebert-Anlage 36, 60325
Frankfurt am Main, Germany
www.enapart.de
anfrage@enapart.de



4 boulevard Carnot, 95400
villiers-le-bel, Paris, France
www.enapart.fr
sales@enapart.fr



65049, ОДЕСА, ВУЛИЦЯ ІВАНА
ФРАНКА, БУДИНОК 55, ПОВЕРХ 3
www.enapart.com.ua
sales@enapart.com.ua



MUNICIPIUL BUCUREȘTI, SECTOR 3,
B-DUL BASARABIA, NR.250, CORP P+5
www.enapart.ro
sales@enapart.ro



〒584-0023 大阪府富田林市若松町
東2丁目2番16号
www.enapart.co.jp
sales@enapart.co.jp



PLAZA NUESTRA SEÑORA DE LAS
NIEVES 12 ,LOCAL ,50012,ZARAGOZA
www.enapart.es
ventas@enapart.es



Складова база „Онгъл“, Склад А2, п.к.
4006, гр. Пловдив, България
www.enapart.bg
sales@enapart.bg



3 Austin Mews, High Street, Hemel
Hempstead, HP1 3AF , United Kingdom
www.enapart.co.uk
sales@enapart.co.uk

Art. "Y" - SHUTTER ANGLE VALVE FOR LOW PRESSURE

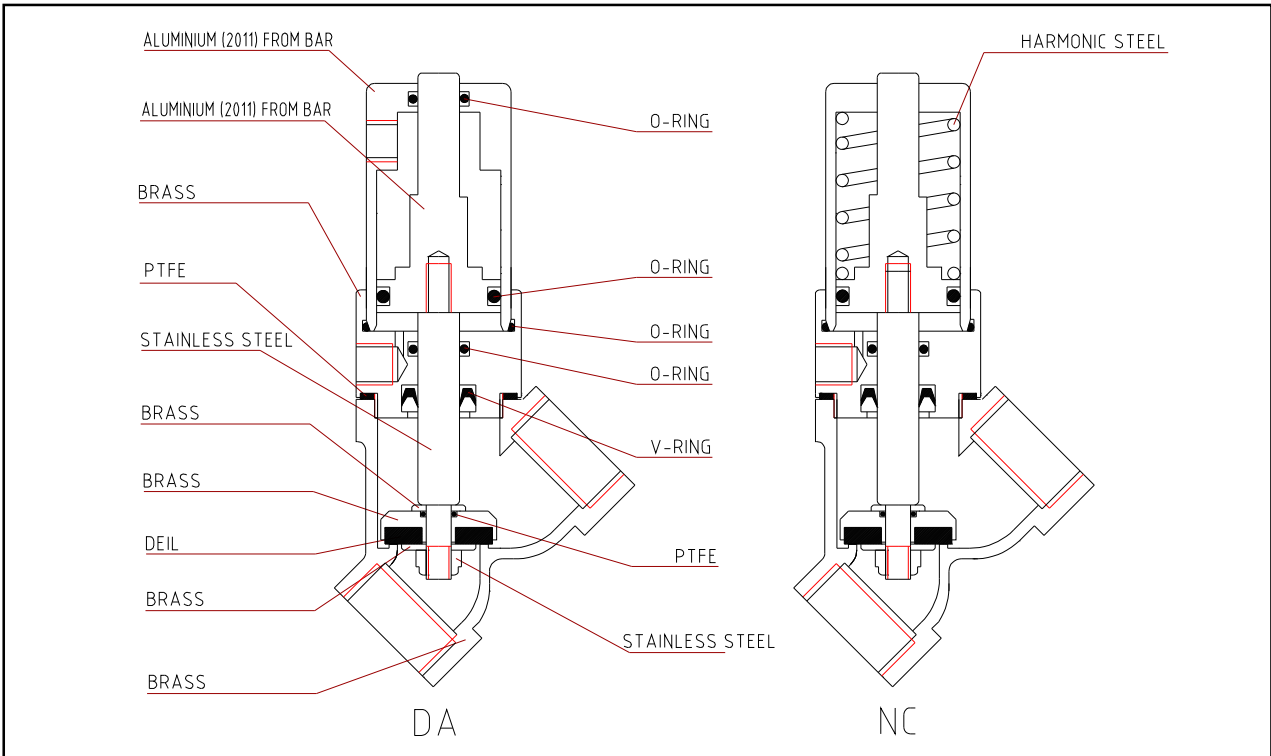
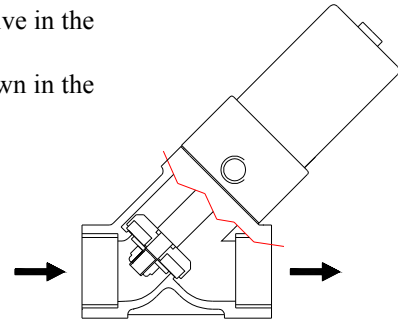


DESCRIPTION
 Valve with flat shutter closing.
 SEAL: NBR - FPM - EPDM.
 Perfect airtight even with high operating frequencies.
 Actuator with reciprocating piston movement.
 Connections with inner GAS ISO 228 thread female-female.
 On request with NPT connections.
 Control air 1/8" GAS connections.
ALLOWABLE TEMPERATURES
 Operating temperature:
 Seal in NBR: from -30°C to +100°C
 Seal in FPM: from -15°C to +100°C
 Seal in EPDM: from -40°C to +100°C
ACTUATOR PILOT PRESSURE: Max 8 bar.
VERSIONS AND SIZES
 DA: 1/2" - 3/4" - 1" - 1"1/4 - 1"1/2 - 2"
 SANC: 1/2" - 3/4" - 1" - 1"1/4 - 1"1/2 - 2"
ANODIZING TREATMENT ON OUTSIDE DETAILS
MADE IN ALUMINIUM

It is **not subject** to the "Water Hammer" if the fluid pass through the valve in the direction of the arrow printed on the body (under the actuator).
 With these conditions the tightness is guaranteed up to the pressures shown in the Differential Pressure Chart.

MINIMUM PRESSURE REQUIRED TO OPEN NC VERSION

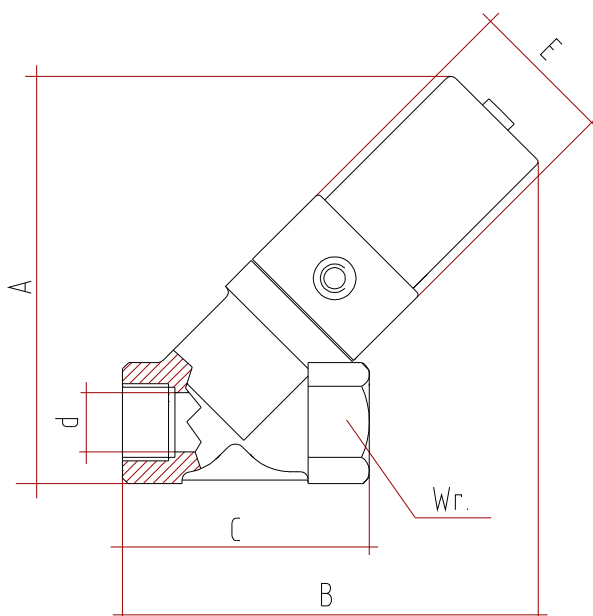
G	1/2"	3/4"	1"	1"1/4	1"1/2	2"
Bar	6	6	5.5	5.5	5.5	5.5



Art. "Y"

DIFFERENTIAL PRESSURE CHART

NC		DA		
G	DeltaP bar	G	PILOT PRESS.	DeltaP bar
1/2"	4	1/2"	4	9.5
3/4"	3	1/2"	5	12
1"	3	3/4"	4	4.5
1"1/4	3	3/4"	5	6
1"1/2	3	1"	4	4.5
2"	1.5	1"	5	5.5
		1"1/4	4	4
		1"1/4	5	5
		1"1/2	4	4
		1"1/2	5	5
		2"	4	2
		2"	5	2.5



OVERALL DIMENSIONS

DN	G	A	B	C	d	E	Wrench	Kv	Weight
mm.		mm.	mm.	mm.	mm.	mm.	mm.	m ³ /h	gr.
15	1/2"	93	107	59	16	40	27	4.5	500
20	3/4"	99	118	70	22	40	33	11	650
25	1"	102	121	74	27	40	38	13	680
32	1"1/4	127	156	95	32	52	49	30	1200
40	1"1/2	157	185	108	40	58	56	42	1800
50	2"	171	205	129	50	70	69	66	2400