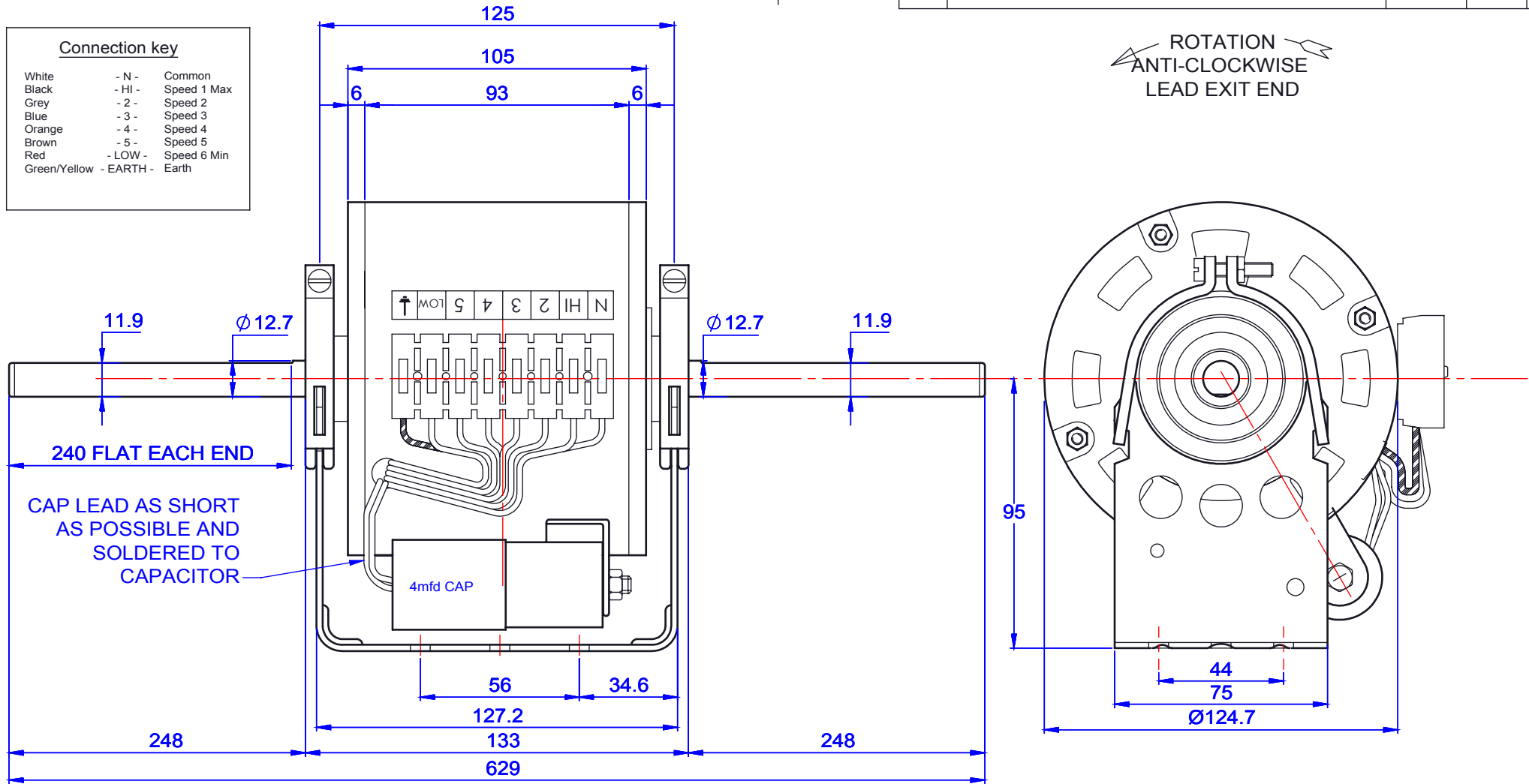




Connection key		
White	- N -	Common
Black	- HI -	Speed 1 Max
Grey	- 2 -	Speed 2
Blue	- 3 -	Speed 3
Orange	- 4 -	Speed 4
Brown	- 5 -	Speed 5
Red	- LOW -	Speed 6 Min
Green/Yellow	- EARTH -	Earth



ENCLOSURE - TOTALLY ENCLOSED
 BEARINGS - BALL
 PROTECTION - AUTOMATIC

REMCO 
 Model No. 48-4-120/6DSL
 240V - 50Hz - 1300rpm
 1.0A - 120W - 4mfd 400V
 THERMALLY PROTECTED

NAMEPLATE DETAILS

J.SOMERVILLE DRW BY	CHECKED BY	APPROVED BY	48-4-1206dsl.dwg FILENAME	05-03-2013 DATE	DO NOT SCALE
		REMCO PRODUCTS LIMITED	48-4-120/6DSL		1.0 ISSUE
					1 / 1 SHEET