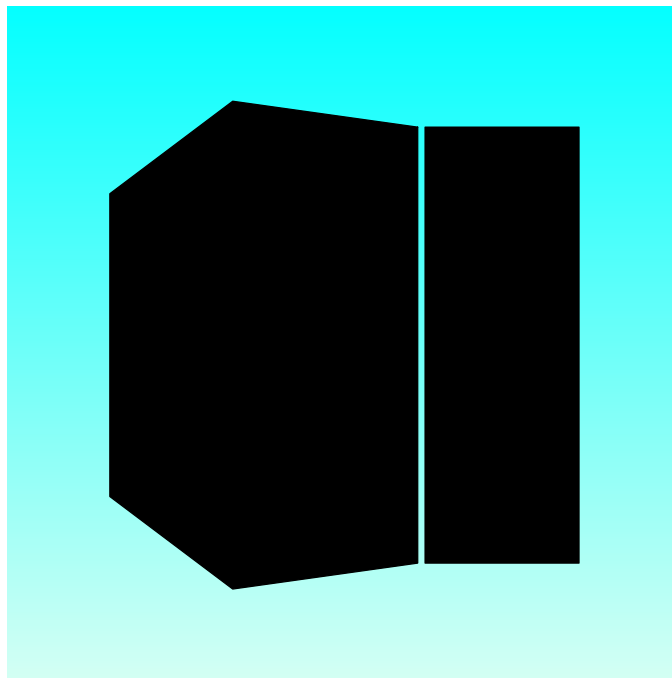


---

## **POLYPAC<sup>®</sup> - BALSELE**



- **Single Acting** -
- **Compact Seal** -
- **Without and with Back-up Ring** -
  
- **Material** -
- **Fabric Reinforced NBR + POM** -





## ■ Balsele

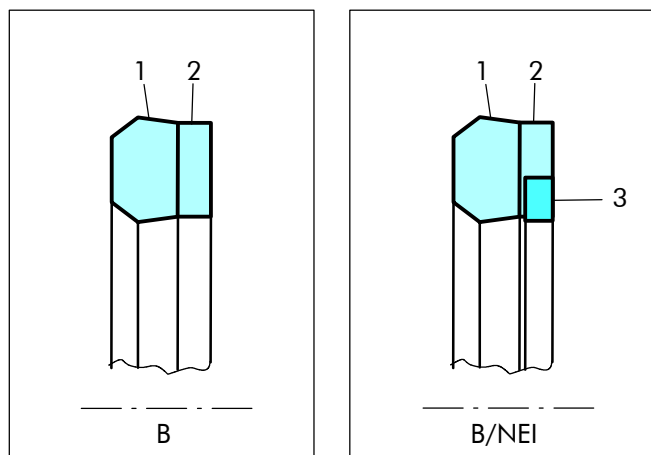
### Description

The Balsele is a compact rod seal consisting of an elastomeric sealing element and an integrated fabric reinforced base.

Due to the radial pre-load an excellent sealing performance will be achieved even at low pressures. The fabric reinforced base prevents the seal from extrusion. Where extrusion gaps are greater than those specified or for higher pressure conditions the serie B/NEI with incorporated anti-extrusion ring shall be selected.

### Design

- 1) Sealing element manufactured from a specially developed nitrile compound particularly resistant to compression set. The sealing lips are produced to give optimum efficiency and wear resistance.
- 2) The reinforced base of the seal element is of cotton fabric impregnated with nitrile elastomer and vulcanised with the sealing element 1, thus forming an integral component.
- 3) Guide rings or antiextrusion rings are made from acetal resin. As previously described these rings maintain the seal in the optimum position for maximum performance, and minimise all possible extrusion gaps.



### Advantages

- Small cross sections
- Good chemical resistance
- Large size range
- No hydrolyses problems
- Wide temperature range

### Application Examples

- Standard hydraulic cylinders (low to medium duty)
- Mobile hydraulic
- Water based fluids equipment
- After market
- Presses

### Technical Data

Operating conditions

Pressure: Up to 25 MPa (Type B)  
Up to 40 MPa (Type B/NEI)

Velocity: Up to 0.5 m/s

Temperature: -30°C to +130°C

Media: Mineral oil, water, air

#### Important Note:

The above data are maximum values and cannot be used at the same time. e.g. the maximum operating speed depends on material type, pressure, temperature and gap value.

### Materials

For type B:  
NBR + cotton fabric  
Material code N8C0

For type B/NEI:  
NBR + cotton fabric  
Back-up Ring material POM  
Material code N8C0



## Design Instructions

### Lead in chamfers

In order to avoid damage to the Balsele during installation, lead in chamfers of min.  $5 \times 20^\circ$  must be provided on the rods.

Rod Diameter	Lead in Chamfer
0 - 100	$5 \times 20^\circ$
101 - 200	$7 \times 20^\circ$
201 - 400	$10 \times 20^\circ$

### Surface roughness

Parameter	Mating Surface $\mu\text{m}$	Groove Surface $\mu\text{m}$
$R_{\text{max}}$	0.63 - 2.50	< 16.0
$R_z$ DIN	0.40 - 1.60	< 10.0
$R_a$	0.05 - 0.20	< 1.6

The material contact area  $R_{\text{mr}}$  should be approx. 50 to 70%, determined at a cut depth  $c = 0.25 \times R_z$ , relative to a reference line of  $C_{\text{ref}}$ . 5%.

### Clearance

Operating max. Pressure MPa	Radial Clearance S max.
16	0.20
25	0.10

For Type B/NEI (with Back-up Ring) the values can be double and with similar gap measure  $S_{\text{max.}} = 0.10$  a pressure of 40 MPa can be tightened.



■ Installation Recommendation

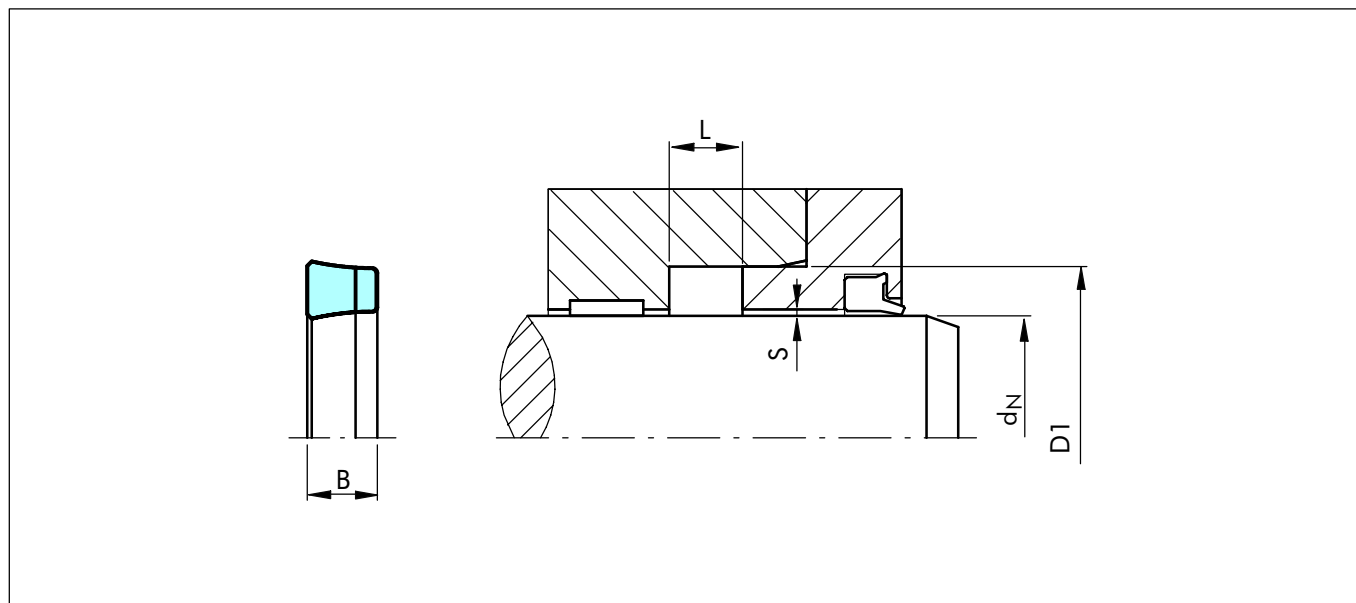


Figure 32 Installation drawing

Table XXIV Preferred Series / Part No.

Note	Rod Diameter	Groove Diameter	Groove Width	Seal Width	Order No.	Polypac Ref. No.
	$d_N$ h11	D1 H11	L +0.1	B		
*	4.76	12.70	6.40	5.75	RUM000047-N8C0	B 050018
*	6.00	10.00	5.00	4.00	RUM000060-N8C0	B 039023
*	<b>6.00</b>	<b>14.00</b>	<b>6.40</b>	<b>5.90</b>	<b>RUM100060-N8C0</b>	<b>B 055024</b>
*	6.35	14.28	6.85	6.30	RUM000063-N8C0	B 056025
*	8.00	15.00	6.40	5.90	RUM000080-N8C0	B 059031
*	10.00	17.00	6.40	5.90	RUM100100-N8C0	B 066039
*	10.00	18.00	6.00	5.40	RUM000100-N8C0	B 070039
*	11.11	20.63	7.65	7.00	RUM000111-N8C0	B 081043
*	12.00	18.00	7.50	7.00	RUM000120-N8C0	B 070047
*	12.00	19.00	6.30	5.80	RUM100120-N8C0	B 075047
*	<b>12.00</b>	<b>20.00</b>	<b>6.40</b>	<b>5.80</b>	<b>RUM200120-N8C0</b>	<b>B 078047</b>
*	12.00	23.00	7.50	6.90	RUM300120-N8C0	B 090047
*	12.70	19.05	5.25	4.80	RUM000127-N8C0	B 075050
*	12.70	20.63	6.85	6.30	RUM100127-N8C0	B 081050
*	12.70	22.22	7.65	7.00	RUM200127-N8C0	B 087050
*	14.00	22.00	6.50	5.90	RUM000140-N8C0	B 086055
*	14.28	23.81	7.65	7.00	RUM000142-N8C0	B 093056
*	15.00	23.00	6.40	5.80	RUM000150-N8C0	B 090059
*	15.00	27.00	7.00	6.30	RUM100150-N8C0	B 106059
*	15.87	22.22	5.25	4.80	RUM000158-N8C0	B 087062
*	15.87	25.40	7.65	7.00	RUM100158-N8C0	B 100062
*	<b>16.00</b>	<b>24.00</b>	<b>6.40</b>	<b>5.90</b>	<b>RUM000160-N8C0</b>	<b>B 094063/1</b>
*	16.00	24.00	7.00	6.50	RUM100160-N8C0	B 094063
*	16.00	28.00	7.50	6.90	RUM200160-N8C0	B 11062/

Dimensions printed in **bold** type correspond to ISO/DIN 5597 and ISO 5597/1. \* Split groove



Note	Rod Diameter	Groove Diameter	Groove Width	Seal Width	Order No.	Polypac Ref. No.
	<b>d<sub>N</sub> h11</b>	<b>D1 H11</b>	<b>L +0.1</b>	<b>B</b>		
*	17.46	30.16	10.00	9.20	RUM000174-N8C0	B 118068
*	18.00	24.00	5.20	4.70	RUM000180-N8C0	B 094070
*	18.00	25.00	8.00	7.30	RUM100180-N8C0	B 098070
*	<b>18.00</b>	<b>26.00</b>	<b>6.40</b>	<b>5.80</b>	<b>RUM200180-N8C0</b>	<b>B 102070/1</b>
*	18.00	26.00	7.00	6.50	RUM300180-N8C0	B 102070
*	18.00	28.00	6.30	5.70	RUM400180-N8C0	B 110070
*	18.00	30.00	7.50	6.90	RUM500180-N8C0	B 118070
*	19.05	28.58	9.00	8.00	RUM100190-N8C0	B 112075
*	19.05	31.75	8.50	7.70	RUM000190-N8C0	B 125075/1
*	20.00	27.00	6.50	5.90	RUM000200-N8C0	B 106078
*	<b>20.00</b>	<b>28.00</b>	<b>6.30</b>	<b>5.70</b>	<b>RUM200200-N8C0</b>	<b>B 110078/1</b>
*	20.00	28.00	7.00	6.50	RUM100200-N8C0	B 110078
*	20.00	30.00	8.50	7.60	RUM300200-N8C0	B 118078
*	20.00	35.00	11.50	10.60	RUM400200-N8C0	B 137078
*	20.63	33.33	10.00	9.20	RUM000206-N8C0	B 131081
*	22.00	30.00	6.50	5.90	RUM000220-N8C0	B 118086/1
*	22.00	30.00	7.00	6.50	RUM100220-N8C0	B 118086
*	22.00	32.00	10.00	9.00	RUM200220-N8C0	B 125086
*	22.00	34.00	9.50	8.90	RUM300220-N8C0	B 133086
*	22.00	35.00	10.00	9.20	RUM400220-N8C0	B 137086
*	22.22	31.75	9.20	8.60	RUM000222-N8C0	B 125087
*	23.81	36.51	10.00	9.20	RUM000238-N8C0	B 143093
*	24.00	32.00	7.50	6.90	RUM000240-N8C0	B 125094
*	24.00	34.00	6.50	5.90	RUM100240-N8C0	B 134094
*	<b>25.00</b>	<b>33.00</b>	<b>6.40</b>	<b>5.80</b>	<b>RUM000250-N8C0</b>	<b>B 129098/1</b>
*	25.00	35.00	9.00	8.40	RUM100250-N8C0	B 137098
*	25.00	38.00	10.00	9.15	RUM200250-N8C0	B 149098
*	25.00	44.00	12.50	11.40	RUM300250-N8C0	B 173098
*	25.40	31.75	5.25	4.70	RUM000254-N8C0	B 125100
*	25.40	34.92	6.85	6.20	RUM100254-N8C0	B 137100
*	25.40	38.10	10.00	9.20	RUM200254-N8C0	B 150100
*	25.40	41.27	11.60	10.70	RUM300254-N8C0	B 162100
*	26.00	40.00	10.00	9.20	RUM000260-N8C0	B 157102/1
*	27.00	35.00	6.50	5.90	RUM000270-N8C0	B 137106
*	<b>28.00</b>	<b>36.00</b>	<b>6.40</b>	<b>5.80</b>	<b>RUM000280-N8C0</b>	<b>B 141110</b>
*	28.00	38.00	8.00	7.40	RUM100280-N8C0	B 149110/1
*	28.00	40.00	9.50	8.90	RUM200280-N8C0	B 157110
*	28.00	41.00	10.00	9.30	RUM300280-N8C0	B 161110
*	28.19	39.68	8.00	7.30	RUM000281-N8C0	B 156111
*	28.57	39.68	9.25	8.50	RUM000285-N8C0	B 156112
*	28.57	41.27	10.00	9.20	RUM100285-N8C0	B 162112
*	28.57	44.45	11.60	10.70	RUM200285-N8C0	B 175112
	30.00	37.50	6.50	6.00	RUM100300-N8C0	B 147118
	30.00	38.00	6.40	5.80	RUM000300-N8C0	B 149118
*	30.00	40.00	7.50	6.80	RUM300300-N8C0	B 157118
*	30.00	40.00	10.50	9.80	RUM400300-N8C0	B 157118/1
*	30.00	41.60	8.00	7.20	RUM500300-N8C0	B 164118
*	30.00	45.00	9.00	8.50	RUM600300-N8C0	B 177118/1

Dimensions printed in **bold** type correspond to ISO/DIN 5597 and ISO 5597/1. \* Split groove



Note	Rod Diameter	Groove Diameter	Groove Width	Seal Width	Order No.	Polypac Ref. No.
	<b>d<sub>N</sub> h11</b>	<b>D1 H11</b>	<b>L +0.1</b>	<b>B</b>		
*	30.00	50.00	14.50	13.50	RUM700300-N8CO	B 196118
	31.75	38.10	6.75	6.00	RUM000317-N8CO	B 150125
*	31.75	44.45	9.52	8.70	RUM100317-N8CO	B 175125
*	31.75	47.62	11.60	10.60	RUM200317-N8CO	B 187125
	32.00	40.00	6.30	5.80	RUM000320-N8CO	B 157125/1
*	32.00	40.00	9.00	8.50	RUM100320-N8CO	B 157125
*	32.00	42.00	8.50	7.80	RUM200320-N8CO	B 165125/1
*	32.00	42.00	11.00	10.30	RUM300320-N8CO	B 165125
*	32.00	45.00	10.00	9.50	RUM400320-N8CO	B 177125
*	34.92	50.80	8.50	7.50	RUM000349-N8CO	B 200137/4
*	34.92	50.80	10.00	9.10	RUM100349-N8CO	B 200137/1
*	34.92	50.80	11.60	10.60	RUM200349-N8CO	B 200137/2
	35.00	43.00	6.50	6.00	RUM000350-N8CO	B 169137
*	35.00	45.00	8.00	7.20	RUM100350-N8CO	B 177137/5
*	35.00	45.00	10.50	9.80	RUM200350-N8CO	B 177137/3
*	35.00	45.00	13.50	12.80	RUM300350-N8CO	B 177137/2
*	35.00	50.00	11.50	10.60	RUM400350-N8CO	B 196137
	36.00	43.00	6.50	6.00	RUM000360-N8CO	B 169141
	36.00	44.00	6.40	5.90	RUM100360-N8CO	B 173141
*	36.00	46.00	8.50	7.80	RUM200360-N8CO	B 181141
*	36.00	48.00	9.50	8.70	RUM300360-N8CO	B 188141
*	36.00	48.00	12.00	11.20	RUM400360-N8CO	B 188141/1
*	37.72	50.80	9.00	8.20	RUM000377-N8CO	B 200148
*	38.00	50.00	9.50	8.80	RUM000380-N8CO	B 196149
*	38.10	47.62	6.35	5.70	RUM000381-N8CO	B 187150/1
*	38.10	50.80	10.00	9.22	RUM200381-N8CO	B 200150
*	38.10	50.80	12.40	11.90	RUM100381-N8CO	B 200150/1
*	38.10	53.97	10.50	9.50	RUM300381-N8CO	B 212150/5
*	38.10	53.97	11.50	10.50	RUM400381-N8CO	B 212150/1
*	38.10	53.97	12.83	12.00	RUM500381-N8CO	B 212150/2
	40.00	48.00	6.50	6.00	RUM000400-N8CO	B 188157
*	<b>40.00</b>	<b>50.00</b>	<b>8.00</b>	<b>7.40</b>	<b>RUM100400-N8CO</b>	<b>B 196157/3</b>
*	40.00	50.00	10.50	9.80	RUM200400-N8CO	B 196157/1
*	40.00	50.00	11.00	10.30	RUM300400-N8CO	B 196157
*	40.00	50.00	13.50	12.80	RUM400400-N8CO	B 196157/2
*	40.00	55.00	8.00	7.00	RUM500400-N8CO	B 216157
*	40.00	55.00	11.00	10.10	RUM600400-N8CO	B 216157/1
*	40.00	60.00	14.50	13.30	RUM700400-N8CO	B 236157
*	41.27	57.12	11.60	10.70	RUM000412-N8CO	B 225162
	42.00	50.00	6.40	6.00	RUM000420-N8CO	B 196165
*	42.00	52.00	9.00	8.40	RUM100420-N8CO	B 204165
*	42.92	55.50	8.90	8.10	RUM000429-N8CO	B 218169
*	43.00	53.00	9.00	8.40	RUM000430-N8CO	B 208169
	44.00	53.00	8.00	7.30	RUM000440-N8CO	B 208173
	44.45	53.97	7.62	7.00	RUM000444-N8CO	B 212178/1
*	44.45	60.32	11.60	10.70	RUM100444-N8CO	B 237175
*	44.45	61.91	11.60	10.60	RUM200444-N8CO	B 243175
	45.00	53.00	6.50	6.00	RUM000450-N8CO	B 208177

Dimensions printed in **bold** type correspond to ISO/DIN 5597 and ISO 5597/1. \* Split groove



# POLYPAC® - Balsele

Note	Rod Diameter	Groove Diameter	Groove Width	Seal Width	Order No.	Polypac Ref. No.
	<b>d<sub>N</sub> h11</b>	<b>D1 H11</b>	<b>L +0.1</b>	<b>B</b>		
	<b>45.00</b>	<b>55.00</b>	<b>8.00</b>	<b>7.30</b>	<b>RUM100450-N8C0</b>	<b>B 216177</b>
*	45.00	55.00	11.00	10.00	RUM200450-N8C0	B 216177/1
*	45.00	57.00	10.00	9.00	RUM300450-N8C0	B 224177
*	45.00	60.00	10.50	9.60	RUM400450-N8C0	B 236177
*	45.00	63.00	11.00	10.00	RUM500450-N8C0	B 248177
*	45.00	65.00	14.50	13.30	RUM600450-N8C0	B 255177
	45.97	55.37	8.33	7.60	RUM000459-N8C0	B 218181
	46.00	56.00	8.00	7.30	RUM100460-N8C0	B 220181
*	47.23	60.32	10.00	9.20	RUM000472-N8C0	B 237186
*	47.62	63.50	11.50	10.60	RUM000476-N8C0	B 250187
*	48.00	60.00	7.00	6.30	RUM000480-N8C0	B 236188
*	50.00	58.00	12.50	12.00	RUM000500-N8C0	B 228196
	<b>50.00</b>	<b>60.00</b>	<b>8.00</b>	<b>7.30</b>	<b>RUM100500-N8C0</b>	<b>B 236196</b>
*	50.00	60.00	10.00	9.30	RUM200500-N8C0	B 236196/1
*	50.00	62.00	9.50	8.50	RUM300500-N8C0	B 244196/1
*	50.00	64.50	11.50	10.50	RUM400500-N8C0	B 254196
*	50.00	65.00	11.00	10.10	RUM500500-N8C0	B 255196
*	50.00	70.00	14.50	13.30	RUM600500-N8C0	B 275196
	50.80	60.35	11.00	10.30	RUM000508-N8C0	B 237200
*	50.80	66.67	11.50	10.50	RUM100508-N8C0	B 262200
*	53.97	73.02	14.80	13.80	RUM000539-N8C0	B 287212
	54.00	66.00	9.50	8.70	RUM000540-N8C0	B 259212
	55.00	65.00	8.00	7.30	RUM000550-N8C0	B 255216/1
	55.00	65.00	11.00	10.30	RUM100550-N8C0	B 255216
*	55.00	70.00	10.50	9.60	RUM200550-N8C0	B 275216
*	55.00	75.00	14.50	13.30	RUM300550-N8C0	B 295216
*	56.00	66.00	8.00	7.30	RUM000560-N8C0	B 259220
*	56.00	71.00	10.50	9.60	RUM100560-N8C0	B 279220
*	56.00	76.00	14.50	13.40	RUM200560-N8C0	B 299220
	57.00	67.00	8.00	7.30	RUM000570-N8C0	B 263224
	57.15	69.85	10.00	9.20	RUM000571-N8C0	B 275225
*	57.15	73.02	11.50	10.60	RUM100571-N8C0	B 287225
*	57.15	76.20	10.00	8.90	RUM200571-N8C0	B 300225
*	57.15	76.20	13.50	12.40	RUM300571-N8C0	B 300225/1
*	57.15	76.20	14.28	13.20	RUM400571-N8C0	B 300225/2
	60.00	69.50	7.00	6.40	RUM000600-N8C0	B 273236
	60.00	70.00	8.00	7.50	RUM100600-N8C0	B 275236
	60.00	70.00	11.00	10.30	RUM200600-N8C0	B 275236/1
	60.00	70.00	13.00	12.25	RUM300600-N8C0	B 275236/2
	60.00	71.00	9.60	9.00	RUM400600-N8C0	B 279236
	60.00	72.00	10.00	9.20	RUM500600-N8C0	B 283236
	60.00	75.00	13.00	12.10	RUM600600-N8C0	B 295236
*	60.00	80.00	14.50	13.50	RUM700600-N8C0	B 314236
*	60.32	79.37	14.80	13.80	RUM000603-N8C0	B 312237
	61.00	69.00	8.50	7.90	RUM000610-N8C0	B 271240
	63.00	75.00	9.60	8.80	RUM000630-N8C0	B 295248/1
	63.00	75.00	11.00	10.20	RUM100630-N8C0	B 295248
	<b>63.00</b>	<b>78.00</b>	<b>12.50</b>	<b>11.50</b>	<b>RUM200630-N8C0</b>	<b>B 307248</b>

Dimensions printed in **bold** type correspond to ISO/DIN 5597 and ISO 5597/1. \* Split groove





Note	Rod Diameter	Groove Diameter	Groove Width	Seal Width	Order No.	Polypac Ref. No.
	d <sub>N</sub> h11	D1 H11	L +0.1	B		
*	63.00	83.00	14.50	13.30	RUM300630-N8CO	B 326248
	63.50	76.20	8.50	7.70	RUM000635-N8CO	B 300250
	63.50	77.78	11.50	10.70	RUM100635-N8CO	B 306250
*	63.50	82.55	14.28	13.13	RUM200635-N8CO	B 325250/1
	65.00	75.00	8.50	7.80	RUM000650-N8CO	B 295255/1
	65.00	75.00	13.50	12.30	RUM100650-N8CO	B 295255
	65.00	77.00	9.60	8.80	RUM200650-N8CO	B 303255
	65.00	80.00	11.50	10.60	RUM300650-N8CO	B 314255
	65.00	80.00	12.50	11.50	RUM400650-N8CO	B 314255/2
*	65.00	85.00	14.50	13.50	RUM600650-N8CO	B 334255
*	65.00	95.00	17.50	15.80	RUM500650-N8CO	B 374255
*	66.00	80.00	11.00	10.10	RUM000660-N8CO	B 314259
*	66.67	85.72	14.80	13.70	RUM000667-N8CO	B 337262
	68.00	76.00	8.00	7.40	RUM000680-N8CO	B 299267
	70.00	76.00	6.00	5.40	RUM000700-N8CO	B 299275
	70.00	80.00	8.00	7.30	RUM000700-N8CO	B 314275/1
	70.00	80.00	13.00	12.30	RUM200700-N8CO	B 314275
	70.00	82.00	9.60	8.80	RUM300700-N8CO	B 322275/1
	70.00	82.00	10.50	9.70	RUM400700-N8CO	B 322275
	70.00	84.00	12.50	11.20	RUM500700-N8CO	B 330275
	70.00	85.00	12.00	11.00	RUM600700-N8CO	B 334275/1
*	<b>70.00</b>	<b>85.00</b>	<b>12.50</b>	<b>11.50</b>	<b>RUM700700-N8CO</b>	<b>B 334275</b>
*	70.00	90.00	14.50	13.50	RUM800700-N8CO	B 354275
	72.00	87.00	11.00	10.00	RUM000720-N8CO	B 342283
*	73.02	88.90	12.50	11.50	RUM000730-N8CO	B 350287
	75.00	85.00	8.00	7.30	RUM000750-N8CO	B 334295/1
	75.00	85.00	11.00	10.30	RUM100750-N8CO	B 334295/2
	75.00	89.50	11.50	10.50	RUM200750-N8CO	B 352295
	75.00	90.00	11.50	10.60	RUM300750-N8CO	B 354295
	75.00	90.00	12.80	11.80	RUM400750-N8CO	B 354295/1
*	75.00	95.00	11.00	10.00	RUM500750-N8CO	B 374295/1
*	75.00	95.00	14.50	13.50	RUM600750-N8CO	B 374295
	76.00	84.00	8.50	7.90	RUM000760-N8CO	B 330299
*	76.20	88.90	9.40	8.70	RUM000762-N8CO	B 350300
*	76.20	92.07	10.00	9.20	RUM100762-N8CO	B 362300
*	76.20	95.25	14.80	13.70	RUM200762-N8CO	B 375300
	77.00	87.00	8.00	7.30	RUM000770-N8CO	B 342303
	79.00	88.50	7.00	6.40	RUM000790-N8CO	B 348311
	80.00	90.00	8.00	7.30	RUM000800-N8CO	B 354314
	80.00	92.00	9.60	8.80	RUM100800-N8CO	B 362314
	80.00	93.00	14.50	13.50	RUM200800-N8CO	B 366314
	80.00	95.00	12.00	11.10	RUM300800-N8CO	B 374314
	80.00	96.00	10.50	9.60	RUM400800-N8CO	B 377314
	80.00	100.00	12.00	10.80	RUM500800-N8CO	B 393314/1
	80.00	100.00	14.50	13.40	RUM600800-N8CO	B 393314
	81.00	91.00	8.00	7.30	RUM000800-N8CO	B 358318
	82.55	101.60	14.80	13.70	RUM000825-N8CO	B 400325/1
	84.00	92.00	6.00	5.40	RUM000840-N8CO	B 362330

Dimensions printed in **bold** type correspond to ISO/DIN 5597 and ISO 5597/1. \* Split groove



Note	Rod Diameter	Groove Diameter	Groove Width	Seal Width	Order No.	Polypac Ref. No.
	<b>d<sub>N</sub> h11</b>	<b>D1 H11</b>	<b>L +0.1</b>	<b>B</b>		
	84.00	94.00	8.00	7.30	RUM100840-N8C0	B 370330
	85.00	95.00	8.00	7.30	RUM000850-N8C0	B 374334
	85.00	95.00	8.50	7.80	RUM100850-N8C0	B 374334/1
	85.00	97.00	9.60	9.00	RUM200850-N8C0	B 381334
	85.00	100.00	12.00	10.80	RUM300850-N8C0	B 393334/1
	85.00	105.00	14.50	13.40	RUM400850-N8C0	B 413334
*	85.00	110.00	13.50	12.20	RUM500850-N8C0	B 433334
*	85.72	104.77	14.80	13.80	RUM000857-N8C0	B 412337
*	85.72	111.12	19.50	18.20	RUM100857-N8C0	B 437337
	88.00	96.00	8.00	7.50	RUM000880-N8C0	B 377346
	88.90	101.60	10.00	9.20	RUM000889-N8C0	B 400350
*	88.90	107.95	12.70	11.60	RUM100889-N8C0	B 425350
	88.90	114.30	12.70	18.20	RUM200889-N8C0	B 450350/2
	90.00	100.00	11.00	10.20	RUM000900-N8C0	B 393354
	90.00	102.00	9.60	8.80	RUM100900-N8C0	B 401354
	<b>90.00</b>	<b>105.00</b>	<b>9.50</b>	<b>8.70</b>	<b>RUM200900-N8C0</b>	<b>B 413354</b>
	90.00	105.00	12.50	11.60	RUM300900-N8C0	B 413354/1
	90.00	106.20	10.80	9.80	RUM400900-N8C0	B 418354
	90.00	110.00	12.50	11.40	RUM500900-N8C0	B 433354
	91.00	99.00	8.50	7.90	RUM000910-N8C0	B 389358
	92.07	111.12	12.50	11.30	RUM000920-N8C0	B 437362
*	92.07	117.45	13.20	12.00	RUM100920-N8C0	B 462362/1
	95.00	105.00	11.00	10.30	RUM000950-N8C0	B 413374
	95.00	107.00	12.50	11.70	RUM100950-N8C0	B 421374
	95.00	110.00	12.50	11.36	RUM200950-N8C0	B 433374
	95.00	112.00	12.00	11.10	RUM300950-N8C0	B 441374
	95.00	115.00	14.50	13.30	RUM400950-N8C0	B 452374
*	95.25	114.30	13.50	12.40	RUM000952-N8C0	B 450375
	95.25	120.65	19.50	18.20	RUM100952-N8C0	B 475375
	96.00	105.00	8.50	7.90	RUM000960-N8C0	B 413377
	96.00	108.00	12.50	11.70	RUM100960-N8C0	B 425377
	97.00	108.00	12.50	11.80	RUM000970-N8C0	B 425381
	98.00	107.50	7.00	6.20	RUM000980-N8C0	B 423385
	100.00	113.00	13.50	12.70	RUM001000-N8C0	B 444393
	100.00	115.00	11.50	10.60	RUM101000-N8C0	B 452393/1
	100.00	115.00	12.50	11.50	RUM201000-N8C0	B 452393
	100.00	120.00	12.00	11.20	RUM301000-N8C0	B 472393/1
	100.00	120.00	14.50	13.40	RUM401000-N8C0	B 472393
	101.00	111.00	6.00	5.40	RUM001010-N8C0	B 437397
	101.50	123.82	17.18	16.00	RUM001015-N8C0	B 487400
	101.60	127.00	19.50	18.00	RUM001016-N8C0	B 500400
	103.00	115.00	12.50	11.80	RUM001030-N8C0	B 452405
	104.00	120.00	12.00	11.20	RUM001040-N8C0	B 472409
	104.00	130.00	19.50	18.00	RUM101040-N8C0	B 511409
	105.00	115.00	11.00	10.00	RUM001050-N8C0	B 452413
	105.00	117.00	12.50	11.80	RUM101050-N8C0	B 460413
	105.00	120.00	12.00	11.00	RUM201050-N8C0	B 472413
	105.00	125.00	12.50	11.40	RUM301050-N8C0	B 492413

Dimensions printed in **bold** type correspond to ISO/DIN 5597 and ISO 5597/1. \* Split groove



Note	Rod Diameter	Groove Diameter	Groove Width	Seal Width	Order No.	Polypac Ref. No.
	d <sub>N</sub> h11	D1 H11	L +0.1	B		
	106.00	116.00	8.50	7.80	RUM001060-N8C0	B 457417
	107.00	115.00	8.00	7.40	RUM001070-N8C0	B 452421
	107.95	133.35	19.00	17.70	RUM001079-N8C0	B 525425
	110.00	125.00	12.00	11.20	RUM001100-N8C0	B 492433
	<b>110.00</b>	<b>130.00</b>	<b>12.50</b>	<b>11.40</b>	<b>RUM101100-N8C0</b>	<b>B 511433</b>
	110.00	135.00	15.50	14.20	RUM201100-N8C0	B 531433
	110.00	140.00	16.50	15.00	RUM301100-N8C0	B 551433
	114.30	133.35	12.40	11.40	RUM001143-N8C0	B 525450
	114.30	139.70	19.50	18.00	RUM101143-N8C0	B 550450
	115.00	125.00	8.00	7.40	RUM001150-N8C0	B 492452
	115.00	135.00	16.00	14.80	RUM101150-N8C0	B 531452
	118.00	130.00	12.50	11.80	RUM001180-N8C0	B 511464
	120.00	130.00	8.00	7.40	RUM001200-N8C0	B 511472
	120.00	132.70	10.00	9.20	RUM101200-N8C0	B 522472
	120.00	135.00	12.50	11.60	RUM201200-N8C0	B 531472
	120.00	140.00	12.50	11.40	RUM301200-N8C0	B 551472
	120.00	145.00	18.80	17.50	RUM401200-N8C0	B 570472
	120.65	146.05	19.50	18.20	RUM001206-N8C0	B 575475
	121.00	133.00	8.00	7.20	RUM001210-N8C0	B 523476
	123.00	133.00	8.00	7.40	RUM001230-N8C0	B 523484
	125.00	135.00	8.50	7.80	RUM001250-N8C0	B 531492
	125.00	140.00	12.00	11.00	RUM101250-N8C0	B 551492
	125.00	150.00	14.50	13.10	RUM201250-N8C0	B 590492
	126.00	134.00	8.00	7.50	RUM001260-N8C0	B 527496
	126.00	136.00	8.50	7.80	RUM101260-N8C0	B 535496
	127.00	139.70	10.00	8.70	RUM001270-N8C0	B 550500
	127.00	145.00	11.50	10.50	RUM101270-N8C0	B 570500
	127.00	152.40	19.50	18.20	RUM201270-N8C0	B 600500
	130.00	140.00	8.00	7.40	RUM001300-N8C0	B 551511
	130.00	145.00	9.50	8.50	RUM101300-N8C0	B 570511/2
	130.00	145.00	13.00	12.00	RUM201300-N8C0	B 570511/1
	130.00	145.00	15.00	14.00	RUM301300-N8C0	B 570511
	130.00	150.00	16.00	14.80	RUM401300-N8C0	B 590511
	130.00	155.00	18.80	17.50	RUM501300-N8C0	B 610511
	131.00	144.00	13.50	12.70	RUM001310-N8C0	B 566515
	133.35	158.75	14.00	12.60	RUM001333-N8C0	B 625525/1
	135.00	150.00	14.00	13.00	RUM001350-N8C0	B 590531/1
	135.00	155.00	16.00	14.80	RUM101350-N8C0	B 610531
	135.00	160.00	14.00	12.70	RUM201350-N8C0	B 629531
	139.70	165.10	19.50	18.20	RUM001397-N8C0	B 650550
	140.00	155.00	13.00	12.00	RUM001400-N8C0	B 610551
	<b>140.00</b>	<b>160.00</b>	<b>12.50</b>	<b>11.40</b>	<b>RUM101400-N8C0</b>	<b>B 629551</b>
	140.00	160.00	14.50	13.40	RUM201400-N8C0	B 629551/1
	140.00	170.00	22.80	21.20	RUM301400-N8C0	B 669551
	145.00	157.70	10.00	9.20	RUM001450-N8C0	B 620570
	146.00	158.00	8.00	7.20	RUM001460-N8C0	B 622575
	146.05	171.45	19.50	18.20	RUM101460-N8C0	B 675575
	150.00	165.00	13.00	11.50	RUM001500-N8C0	B 649590

Dimensions printed in **bold** type correspond to ISO/DIN 5597 and ISO 5597/1.



Note	Rod Diameter	Groove Diameter	Groove Width	Seal Width	Order No.	Polypac Ref. No.
	<b>d<sub>N</sub> h11</b>	<b>D1 H11</b>	<b>L +0.1</b>	<b>B</b>		
	150.00	170.00	14.50	13.40	RUM101500-N8C0	B 669590/1
	152.40	177.80	19.50	18.20	RUM001524-N8C0	B 700600
	152.40	184.15	25.80	24.20	RUM101524-N8C0	B 725600
	155.00	170.00	9.50	8.55	RUM001550-N8C0	B 669610
	158.75	190.50	25.80	24.20	RUM001587-N8C0	B 750625
	160.00	174.00	11.50	10.60	RUM001600-N8C0	B 685629
	160.00	175.00	16.00	15.50	RUM101600-N8C0	B 688629
	160.00	180.00	14.50	13.30	RUM201600-N8C0	B 708629
	163.00	178.00	13.00	12.00	RUM001630-N8C0	B 700641
	165.00	184.00	16.00	14.80	RUM001650-N8C0	B 728649
	165.00	195.00	20.40	18.70	RUM101650-N8C0	B 767649
	165.10	177.80	10.00	9.20	RUM001651-N8C0	B 700650
	165.10	196.85	25.80	24.20	RUM101651-N8C0	B 775650
	170.00	182.70	10.00	9.20	RUM001700-N8C0	B 719669
	171.00	183.00	8.00	7.20	RUM001710-N8C0	B 720673
	171.45	203.20	25.80	24.20	RUM001714-N8C0	B 800675
	175.00	200.00	14.50	13.10	RUM001750-N8C0	B 787688
	175.00	200.00	23.00	21.55	RUM101750-N8C0	B 787688/1
	177.80	203.20	22.70	21.40	RUM001778-N8C0	B 800700
	180.00	195.00	12.50	11.50	RUM001800-N8C0	B 767708
	180.00	200.00	14.50	13.30	RUM101800-N8C0	B 787708
	180.00	210.00	20.50	18.90	RUM201800-N8C0	B 826708/1
	184.15	215.90	25.80	24.20	RUM001841-N8C0	B 850725
	187.00	202.00	11.50	10.60	RUM001870-N8C0	B 795736
	188.00	203.00	13.00	12.00	RUM001880-N8C0	B 799740
	190.00	210.00	14.50	13.40	RUM001900-N8C0	B 826748
	190.50	222.25	25.80	24.20	RUM001905-N8C0	B 875750
	196.00	208.70	9.50	8.70	RUM001960-N8C0	B 821771
	196.85	228.60	25.80	24.20	RUM001968-N8C0	B 900775
	197.00	209.00	8.00	7.20	RUM001970-N8C0	B 823775
	198.00	208.00	12.00	11.30	RUM001980-N8C0	B 819779
	200.00	220.00	14.50	13.30	RUM002000-N8C0	B 866787
	203.20	235.00	25.80	24.20	RUM002032-N8C0	B 925800
	210.00	230.00	14.50	13.30	RUM002100-N8C0	B 905826
	210.00	240.00	22.50	21.00	RUM102100-N8C0	B 944826
	214.00	229.00	13.00	12.10	RUM002140-N8C0	B 901842
	215.90	247.65	25.80	24.20	RUM002159-N8C0	B 975850
	<b>220.00</b>	<b>250.00</b>	<b>20.50</b>	<b>18.90</b>	<b>RUM002200-N8C0</b>	<b>B 984866</b>
	222.25	254.00	25.80	24.20	RUM002222-N8C0	B 1000875
	223.00	235.00	8.00	7.20	RUM002230-N8C0	B 925878
	224.00	236.70	9.50	8.70	RUM002240-N8C0	B 931881
	228.60	260.35	25.80	24.20	RUM002286-N8C0	B 1025900
	230.00	260.00	20.50	18.90	RUM002300-N8C0	B 1023905
	238.00	258.00	15.50	14.40	RUM002380-N8C0	B 1015937
	240.00	255.00	13.00	12.00	RUM002400-N8C0	B 1003944
	241.30	273.05	25.80	24.20	RUM002413-N8C0	B 1075950
	249.00	261.00	8.00	7.20	RUM002490-N8C0	B 1027980
	250.00	290.00	25.40	23.30	RUM002500-N8C0	B 1141984

Dimensions printed in **bold** type correspond to ISO/DIN 5597 and ISO 5597/1.



Note	Rod Diameter	Groove Diameter	Groove Width	Seal Width	Order No.	Polypac Ref. No.
	$d_N$ h11	D1 H11	L +0.1	B		
	254.00	285.75	25.80	24.20	RUM002540-N8C0	B 11251000
	260.35	292.10	25.80	24.20	RUM002603-N8C0	B 11501025
	266.70	298.45	25.80	24.20	RUM002667-N8C0	B 11751050
	273.05	304.80	25.80	24.20	RUM002730-N8C0	B 12001075
	279.40	311.15	25.80	24.20	RUM002794-N8C0	B 12251100
	280.00	320.00	22.50	20.30	RUM002800-N8C0	B 12591102
	285.75	317.50	25.80	24.20	RUM002857-N8C0	B 12501125
	298.45	330.20	25.80	24.20	RUM002984-N8C0	B 13001175
	304.80	336.55	25.80	24.20	RUM003048-N8C0	B 13251200
	318.00	355.00	13.00	11.90	RUM003180-N8C0	B 13191252
	<b>320.00</b>	<b>360.00</b>	<b>25.50</b>	<b>23.30</b>	<b>RUM003200-N8C0</b>	<b>B 14171259</b>
	350.00	385.00	25.40	23.50	RUM003500-N8C0	B 15151377
	375.00	415.00	25.40	23.20	RUM003750-N8C0	B 16331476
	445.00	482.00	35.50	33.50	RUM004450-N8C0	B 19001750
	500.00	570.00	35.00	32.80	RUM005000-N8C0	B 21261968
	530.00	570.00	25.00	23.00	RUM005300-N8C0	B 22442086
	640.00	680.00	25.00	23.00	RUM006400-N8C0	B 26772519
	702.00	752.40	30.00	27.50	RUM007020-N8C0	B 29612764
	760.00	820.00	35.00	32.00	RUM007600-N8C0	B 32282992
	785.00	845.00	35.00	32.00	RUM007850-N8C0	B 33273090
	845.00	905.00	35.00	32.00	RUM008450-N8C0	B 35633327
	921.00	981.00	35.00	32.00	RUM009210-N8C0	B 38623626
	1040.00	1110.00	35.00	32.00	RUM0T1040-N8C0	B 43704094
	1195.00	1265.00	35.00	32.00	RUM0T1195-N8C0	B 49804705

Dimensions printed in **bold** type correspond to ISO/DIN 5597 and ISO 5597/1.

### Ordering example

Balsele Type B  
 Rod diameter:  $d_N = 6.0$  mm  
 Groove diameter: D1 = 10.0 mm  
 Groove width: L = 5 mm  
 Part No.: RUM000060 -  
 Compound: N8C0 (NBR + cotton fabric)

Order No.	RUM	0	0	0060	-	N8C0
Series No.						
Design code						
Execution Mark						
Rod diameter x 10						
Quality Index (Standard)						
Material code (Seal ring)						
Polypac Ref. No.: B 039023						



**Installation Recommendation**

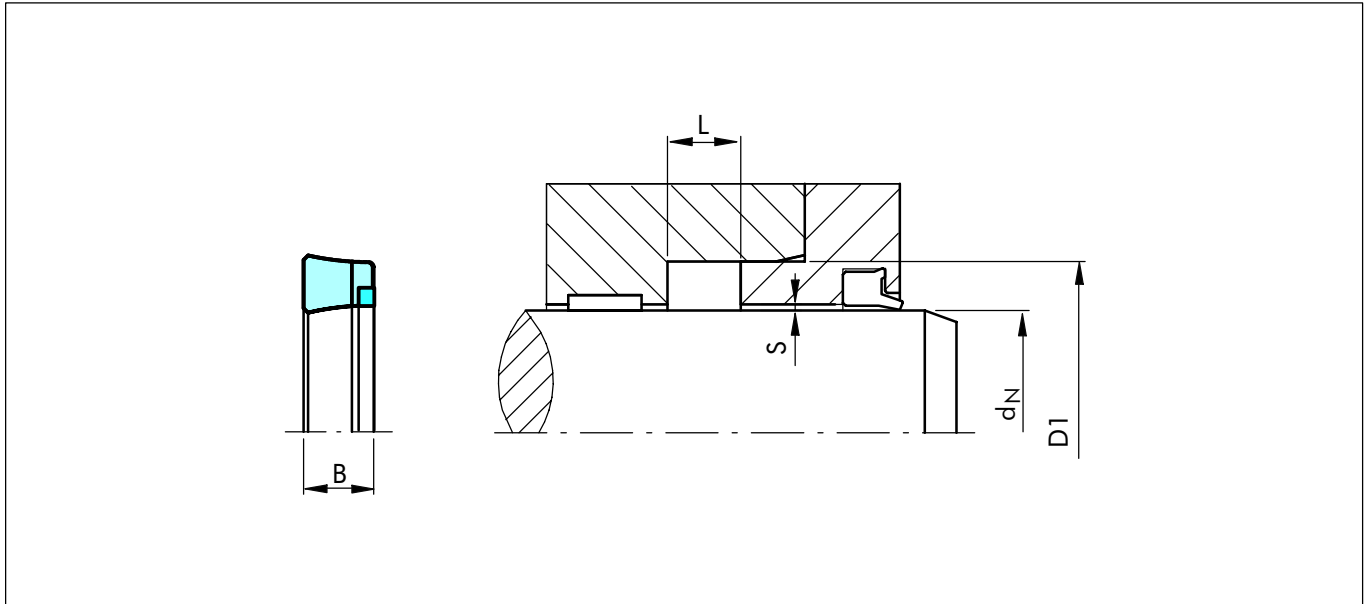


Figure 33 Installation drawing

**Table XXV Preferred Series / Part No.**

Note	Rod Diameter	Groove Diameter	Groove Width	Seal Width	Order No.	Polypac Ref. No.
	$d_N$ h11	D1 H11	L +0.1	B		
*	12.00	23.00	7.50	6.80	RUM3E0120-N8CO	B 090047/NEI
*	15.00	27.00	7.00	6.30	RUM1E0150-N8CO	B 106059/NEI
*	15.87	25.40	7.65	7.00	RUM1E0158-N8CO	B 100062/NEI
*	16.00	24.00	7.00	6.50	RUM1E0160-N8CO	B 094063/NEI
*	16.00	28.00	7.50	6.90	RUM2E0160-N8CO	B 110062/NEI
*	<b>18.00</b>	<b>28.00</b>	<b>6.30</b>	<b>5.70</b>	<b>RUM4E0180-N8CO</b>	<b>B 110070/NEI</b>
*	18.00	30.00	7.50	6.90	RUM5E0180-N8CO	B 118070/NEI
*	<b>20.00</b>	<b>28.00</b>	<b>6.30</b>	<b>5.70</b>	<b>RUM2E0200-N8CO</b>	<b>B 110078/1/NEI</b>
*	20.00	28.00	7.00	6.50	RUM1E0200-N8CO	B 110078/NEI
*	20.00	30.00	8.50	7.60	RUM3E0200-N8CO	B 118078/NEI
*	22.00	30.00	7.00	6.50	RUM1E0220-N8CO	B 118086/NEI
*	22.00	32.00	10.00	9.00	RUM2E0220-N8CO	B 125086/NEI
*	22.00	34.00	9.50	8.90	RUM3E0220-N8CO	B 133086/NEI
*	22.00	35.00	10.00	9.20	RUM4E0220-N8CO	B 137086/NEI
*	<b>25.00</b>	<b>33.00</b>	<b>6.40</b>	<b>5.80</b>	<b>RUM0E0250-N8CO</b>	<b>B 129098/1/NEI</b>
*	25.00	35.00	9.00	8.40	RUM1E0250-N8CO	B 137098/NEI
*	25.00	38.00	10.00	9.15	RUM2E0250-N8CO	B 149098/NEI
*	25.40	38.10	10.00	9.20	RUM2E0254-N8CO	B 150100/NEI
*	28.00	36.00	6.40	5.80	RUM0E0280-N8CO	B 141110/NEI
*	<b>28.00</b>	<b>38.00</b>	<b>8.00</b>	<b>7.40</b>	<b>RUM1E0280-N8CO</b>	<b>B 149110/1/NEI</b>
*	28.00	40.00	9.50	8.90	RUM2E0280-N8CO	B 157110/NEI
*	28.00	41.00	10.00	9.30	RUM3E0280-N8CO	B 161110/NEI
*	28.57	39.68	9.25	8.50	RUM0E0285-N8CO	B 156112/NEI
*	30.00	38.00	6.40	5.80	RUM0E0300-N8CO	B 149118/NEI

Dimensions printed in **bold** type correspond to ISO/DIN 5597 and ISO 5597/1. \* Split groove

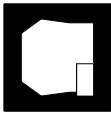
# POLYPAC® - Balsele with Back-up Ring



Note	Rod Diameter	Groove Diameter	Groove Width	Seal Width	Order No.	Polypac Ref. No.
	<b>d<sub>N</sub> h11</b>	<b>D1 H11</b>	<b>L +0.1</b>	<b>B</b>		
*	30.00	40.00	7.50	6.80	RUM3E0300-N8CO	B 157118/NEI
*	30.00	40.00	10.50	9.80	RUM4E0300-N8CO	B 157118/1/NEI
*	30.00	45.00	9.00	8.50	RUM6E0300-N8CO	B 177118/1/NEI
*	30.00	50.00	14.50	13.50	RUM7E0300-N8CO	B 196118/NEI
*	31.75	47.62	11.60	10.60	RUM2E0317-N8CO	B 187125/NEI
*	32.00	40.00	6.30	5.80	RUM0E0320-N8CO	B 157125/1/NEI
*	32.00	40.00	9.00	8.50	RUM1E0320-N8CO	B 157125/NEI
*	32.00	42.00	8.50	7.80	RUM2E0320-N8CO	B 165125/1/NEI
*	32.00	42.00	11.00	10.30	RUM3E0320-N8CO	B 165125/NEI
*	32.00	45.00	10.00	9.50	RUM4E0320-N8CO	B 177125/NEI
*	34.92	50.80	8.50	7.50	RUM0E0349-N8CO	B 200137/4/NEI
*	34.92	50.80	11.60	10.60	RUM2E0349-N8CO	B 200137/2/NEI
*	35.00	43.00	6.50	6.00	RUM0E0350-N8CO	B 169137/NEI
*	35.00	45.00	10.50	9.80	RUM2E0350-N8CO	B 177137/3/NEI
*	35.00	50.00	11.50	10.60	RUM4E0350-N8CO	B 196137/NEI
	36.00	43.00	6.50	6.00	RUM0E0360-N8CO	B 169141/NEI
	36.00	44.00	6.40	5.90	RUM1E0360-N8CO	B 173141/NEI
*	36.00	46.00	8.50	7.80	RUM2E0360-N8CO	B 181141/NEI
*	36.00	48.00	9.50	8.70	RUM3E0360-N8CO	B 188141/NEI
*	36.00	48.00	12.00	11.20	RUM4E0360-N8CO	B 188141/1/NEI
*	38.10	50.80	10.00	9.22	RUM2E0381-N8CO	B 200150/NEI
*	38.10	53.97	10.50	9.50	RUM3E0381-N8CO	B 212150/5/NEI
	40.00	48.00	6.50	6.00	RUM0E0400-N8CO	B 188157/NEI
*	<b>40.00</b>	<b>50.00</b>	<b>8.00</b>	<b>7.40</b>	<b>RUM1E0400-N8CO</b>	<b>B 196157/3/NEI</b>
*	40.00	50.00	10.50	9.80	RUM2E0400-N8CO	B 196157/1/NEI
*	40.00	50.00	11.00	10.30	RUM3E0400-N8CO	B 196157/NEI
*	<b>40.00</b>	<b>55.00</b>	<b>8.00</b>	<b>7.00</b>	<b>RUM5E0400-N8CO</b>	<b>B 216157/NEI</b>
*	40.00	55.00	11.00	10.10	RUM6E0400-N8CO	B 216157/1/NEI
*	40.00	60.00	14.50	13.30	RUM7E0400-N8CO	B 236157/NEI
*	42.00	52.00	9.00	8.40	RUM1E0420-N8CO	B 204165/NEI
	44.45	53.97	7.62	7.00	RUM0E0444-N8CO	B 212175/1/NEI
*	44.45	60.32	11.60	10.70	RUM1E0444-N8CO	B 237175/NEI
	<b>45.00</b>	<b>55.00</b>	<b>8.00</b>	<b>7.30</b>	<b>RUM1E0450-N8CO</b>	<b>B 216177/NEI</b>
	45.00	55.00	11.00	10.00	RUM2E0450-N8CO	B 216177/1/NEI
*	45.00	57.00	10.00	9.00	RUM3E0450-N8CO	B 224177/NEI
*	45.00	60.00	10.50	9.60	RUM4E0450-N8CO	B 236177/NEI
*	45.00	65.00	14.50	13.30	RUM6E0450-N8CO	B 255177/NEI
	<b>50.00</b>	<b>60.00</b>	<b>8.00</b>	<b>7.30</b>	<b>RUM1E0500-N8CO</b>	<b>B 236196/NEI</b>
	50.00	60.00	10.00	9.30	RUM2E0500-N8CO	B 236196/1/NEI
*	50.00	62.00	9.50	8.50	RUM3E0500-N8CO	B 244196/1/NEI
	50.00	65.00	11.00	10.10	RUM5E0500-N8CO	B 255196/NEI
*	50.00	70.00	14.50	13.30	RUM6E0500-N8CO	B 275196/NEI
*	54.00	66.00	9.50	8.70	RUM0E0540-N8CO	B 259212/NEI
	55.00	65.00	8.00	7.30	RUM0E0550-N8CO	B 255216/1/NEI
	55.00	65.00	11.00	10.30	RUM1E0550-N8CO	B 255216/NEI
*	55.00	70.00	10.50	9.60	RUM2E0550-N8CO	B 275216/NEI
*	55.00	75.00	14.50	13.30	RUM3E0550-N8CO	B 295216/NEI
*	56.00	71.00	10.50	9.60	RUM1E0560-N8CO	B 279220/NEI

Dimensions printed in **bold** type correspond to ISO/DIN 5597 and ISO 5597/1. \* Split groove





# POLYPAC® - Balsele with Back-up Ring

Note	Rod Diameter	Groove Diameter	Groove Width	Seal Width	Order No.	Polypac Ref. No.
	$d_N$ h11	D1 H11	L +0.1	B		
*	56.00	76.00	14.50	13.40	RUM2E0560-N8CO	B 299220/NEI
	57.15	69.85	10.00	9.20	RUM0E0571-N8CO	B 275225/NEI
	60.00	69.50	7.00	6.40	RUM0E0600-N8CO	B 273236/NEI
	60.00	70.00	8.00	6.40	RUM1E0600-N8CO	B 275236/NEI
	60.00	70.00	11.00	10.30	RUM2E0600-N8CO	B 275236/1/NEI
	60.00	70.00	13.00	12.25	RUM3E0600-N8CO	B 275236/2/NEI
*	60.00	72.00	10.00	9.20	RUM5E0600-N8CO	B 283236/NEI
*	60.00	75.00	13.00	12.10	RUM6E0600-N8CO	B 295236/NEI
*	60.00	80.00	14.50	13.50	RUM7E0600-N8CO	B 314236/NEI
*	63.00	75.00	11.00	10.20	RUM1E0630-N8CO	B 295248/NEI
*	<b>63.00</b>	<b>78.00</b>	<b>12.50</b>	<b>11.50</b>	<b>RUM2E0630-N8CO</b>	<b>B 307248/NEI</b>
*	63.00	83.00	14.50	13.30	RUM3E0630-N8CO	B 326248/NEI
*	63.50	76.20	8.50	7.70	RUM0E0635-N8CO	B 300250/NEI
*	63.50	77.78	11.50	10.70	RUM1E0635-N8CO	B 306250/NEI
*	63.50	82.55	14.28	13.13	RUM2E0635-N8CO	B 325250/1/NEI
	65.00	75.00	13.50	12.30	RUM1E0650-N8CO	B 295255/NEI
	65.00	77.00	9.60	8.80	RUM2E0650-N8CO	B 303255/NEI
*	65.00	80.00	11.50	10.60	RUM3E0650-N8CO	B 314255/NEI
*	65.00	80.00	12.50	11.50	RUM4E0650-N8CO	B 314255/2/NEI
	70.00	80.00	8.00	7.30	RUM0E0700-N8CO	B 314275/1/NEI
	70.00	80.00	13.00	12.30	RUM2E0700-N8CO	B 314275/NEI
	70.00	82.00	10.50	9.70	RUM4E0700-N8CO	B 322275/NEI
	70.00	84.00	12.50	11.20	RUM5E0700-N8CO	B 330275/NEI
*	70.00	85.00	12.00	11.00	RUM6E0700-N8CO	B 334275/1/NEI
*	<b>70.00</b>	<b>85.00</b>	<b>12.50</b>	<b>11.50</b>	<b>RUM7E0700-N8CO</b>	<b>B 334275/NEI</b>
*	70.00	90.00	14.50	13.50	RUM8E0700-N8CO	B 354275/NEI
*	72.00	87.00	11.00	10.00	RUM0E0720-N8CO	B 342283/NEI
	75.00	85.00	11.00	10.30	RUM1E0750-N8CO	B 334295/2/NEI
	75.00	90.00	11.50	10.60	RUM3E0750-N8CO	B 354295/NEI
	75.00	90.00	12.80	11.80	RUM4E0750-N8CO	B 354295/1/NEI
*	75.00	95.00	14.50	13.50	RUM6E0750-N8CO	B 374295/NEI
	80.00	93.00	14.50	13.50	RUM2E0800-N8CO	B 366314/NEI
	80.00	95.00	12.00	11.10	RUM3E0800-N8CO	B 374314/NEI
	80.00	96.00	10.50	9.60	RUM4E0800-N8CO	B 377314/NEI
*	80.00	100.00	12.00	10.80	RUM5E0800-N8CO	B 393314/1/NEI
*	80.00	100.00	14.50	13.40	RUM6E0800-N8CO	B 393314/NEI
	85.00	95.00	8.00	7.30	RUM0E0850-N8CO	B 374334/NEI
	85.00	97.00	9.60	9.00	RUM2E0850-N8CO	B 381334/NEI
	85.00	100.00	12.00	10.80	RUM3E0850-N8CO	B 393334/1/NEI
*	85.00	105.00	14.50	13.40	RUM4E0850-N8CO	B 413334/NEI
*	88.90	114.30	19.50	18.20	RUM2E0889-N8CO	B 450350/2/NEI
	<b>90.00</b>	<b>105.00</b>	<b>9.50</b>	<b>8.70</b>	<b>RUM2E0900-N8CO</b>	<b>B 413354/NEI</b>
	<b>90.00</b>	<b>105.00</b>	<b>12.50</b>	<b>11.60</b>	<b>RUM3E0900-N8CO</b>	<b>B 413354/1/NEI</b>
	90.00	106.20	10.80	9.80	RUM4E0900-N8CO	B 418354/NEI
*	<b>90.00</b>	<b>110.00</b>	<b>12.50</b>	<b>11.40</b>	<b>RUM5E0900-N8CO</b>	<b>B 433354/NEI</b>
*	92.07	111.12	12.50	11.30	RUM0E0920-N8CO	B 437362/NEI
	95.00	105.00	11.00	10.30	RUM0E0950-N8CO	B 413374/NEI
	95.00	112.00	12.00	11.10	RUM3E0950-N8CO	B 441374/NEI

Dimensions printed in **bold** type correspond to ISO/DIN 5597 and ISO 5597/1. \* Split groove



# POLYPAC® - Balsele with Back-up Ring



Note	Rod Diameter	Groove Diameter	Groove Width	Seal Width	Order No.	Polypac Ref. No.
	<b>d<sub>N</sub> h11</b>	<b>D1 H11</b>	<b>L +0.1</b>	<b>B</b>		
*	95.00	115.00	14.50	13.30	RUM4E0950-N8CO	B 452374/NEI
	100.00	113.00	13.50	12.70	RUM0E1000-N8CO	B 444393/NEI
	100.00	115.00	11.50	10.60	RUM1E1000-N8CO	B 452393/1/NEI
	100.00	115.00	12.50	11.50	RUM2E1000-N8CO	B 452393/NEI
	100.00	120.00	12.00	11.20	RUM3E1000-N8CO	B 472393/1/NEI
	100.00	120.00	14.50	13.40	RUM4E1000-N8CO	B 472393/NEI
	105.00	115.00	11.00	10.00	RUM0E1050-N8CO	B 452413/NEI
	105.00	125.00	12.50	11.40	RUM3E1050-N8CO	B 492413/NEI
	110.00	125.00	12.00	11.20	RUM0E1100-N8CO	B 492433/NEI
	<b>110.00</b>	<b>130.00</b>	<b>12.50</b>	<b>11.40</b>	<b>RUM1E1100-N8CO</b>	<b>B 511433/NEI</b>
	110.00	135.00	15.50	14.20	RUM2E1100-N8CO	B 531433/NEI
	120.00	132.70	10.00	9.20	RUM1E1200-N8CO	B 522472/NEI
	120.00	135.00	12.50	11.60	RUM2E1200-N8CO	B 531472/NEI
	120.00	140.00	12.50	11.40	RUM3E1200-N8CO	B 551472/NEI
	120.00	145.00	18.80	17.50	RUM4E1200-N8CO	B 570472/NEI
	125.00	150.00	14.50	13.10	RUM2E1250-N8CO	B 590492/NEI
	130.00	145.00	9.50	8.50	RUM1E1300-N8CO	B 570511/2/NEI
	130.00	145.00	13.00	12.00	RUM2E1300-N8CO	B 570511/1/NEI
	130.00	145.00	15.00	14.00	RUM3E1300-N8CO	B 570511/NEI
	130.00	150.00	16.00	14.80	RUM4E1300-N8CO	B 590511/NEI
	130.00	155.00	18.80	17.50	RUM5E1300-N8CO	B 610511/NEI
	133.35	158.75	14.00	12.60	RUM0E1333-N8CO	B 625525/1/NEI
	135.00	150.00	14.00	13.00	RUM0E1350-N8CO	B 590531/1/NEI
	135.00	155.00	16.00	14.80	RUM1E1350-N8CO	B 610531/NEI
	135.00	160.00	14.00	12.70	RUM2E1350-N8CO	B 629531/NEI
	140.00	155.00	13.00	12.00	RUM0E1400-N8CO	B 610551/NEI
	<b>140.00</b>	<b>160.00</b>	<b>12.50</b>	<b>11.40</b>	<b>RUM1E1400-N8CO</b>	<b>B 629551/NEI</b>
	140.00	160.00	14.50	13.40	RUM2E1400-N8CO	B 629551/1/NEI
	140.00	170.00	22.80	21.20	RUM3E1400-N8CO	B 669551/NEI
	145.00	157.70	10.00	9.20	RUM0E1450-N8CO	B 620570/NEI
	150.00	165.00	13.00	11.50	RUM0E1500-N8CO	B 649590/NEI
	150.00	170.00	14.50	13.40	RUM1E1500-N8CO	B 669590/1/NEI
	160.00	175.00	16.00	15.50	RUM1E1600-N8CO	B 688629/NEI
	160.00	180.00	14.50	13.30	RUM2E1600-N8CO	B 708629/NEI
	165.00	184.00	16.00	14.80	RUM0E1650-N8CO	B 728649/NEI
	165.00	195.00	20.40	18.70	RUM1E1650-N8CO	B 767649/NEI
	175.00	200.00	23.00	21.55	RUM1E1750-N8CO	B 787688/1/NEI
	180.00	200.00	14.50	13.30	RUM1E1800-N8CO	B 787708/NEI
	180.00	210.00	20.50	18.90	RUM2E1800-N8CO	B 826708/1/NEI
	190.00	210.00	14.50	13.40	RUM0E1900-N8CO	B 826748/NEI
	198.00	208.00	12.00	11.30	RUM0E1980-N8CO	B 819779/NEI
	200.00	220.00	14.50	13.30	RUM0E2000-N8CO	B 866787/NEI
	210.00	230.00	14.50	13.30	RUM0E2100-N8CO	B 905826/NEI
	210.00	240.00	22.50	21.00	RUM1E2100-N8CO	B 944826/NEI
	220.00	250.00	20.50	18.90	RUM0E2200-N8CO	B 984866/NEI
	230.00	260.00	20.50	19.00	RUM0E2300-N8CO	B 1023905/NEI
	500.00	540.00	35.00	32.80	RUM0E5000-N8CO	B 21261968/NEI
	530.00	570.00	25.00	23.00	RUM0E5300-N8CO	B 22442086/NEI

Dimensions printed in **bold** type correspond to ISO/DIN 5597 and ISO 5597/1. \* Split groove



# POLYPAC® - Balsele with Back-up Ring

Note	Rod Diameter	Groove Diameter	Groove Width	Seal Width	Order No.	Polypac Ref. No.
	<b>d<sub>N</sub></b> h11	<b>D1</b> H11	<b>L</b> +0.1	<b>B</b>		
	640.00	680.00	25.00	23.00	RUM0E6400-N8CO	B 26772519/NEI
	702.00	752.40	30.00	27.50	RUM0E7020-N8CO	B 29612764/NEI
	760.00	820.00	35.00	32.00	RUM0E7600-N8CO	B 32282992/NEI
	785.00	845.00	35.00	32.00	RUM0E7850-N8CO	B 33273090/NEI
	845.00	905.00	35.00	32.00	RUM0E8450-N8CO	B 35633327/NEI
	921.00	981.00	35.00	32.00	RUM0E9210-N8CO	B 38623626/NEI
	1040.00	1110.00	35.00	32.00	RUM0X1040-N8CO	B 43704094/NEI
	1195.00	1265.00	35.00	32.00	RUM0X1195-N8CO	B 49804705/NEI

Dimensions printed in **bold** type correspond to ISO/DIN 5597 and ISO 5597/1.

## Ordering example

Balsele Type B/NEI

Rod diameter:

$d_N = 20.0$  mm

Groove diameter:

$D1 = 28.0$  mm

Groove width

$L = 7$  mm

Part No.:

RUM1E0200 -

Compound:

N8CO (NBR + cotton fabric and POM Back-up Ring)

Order No.	RUM	1	E	0200	-	N8CO
Series No.						
Design code						
Execution Mark						
Rod diameter x 10						
Quality Index (Standard)						
Material code (Seal ring)						
Polypac Ref. No.: B 110078/NEI						