



ENAPART



93 S Railroad Avenue Unit C
Bergenfield NJ 07621 USA
www.enapart.com
sales@enapart.com



Via del Canneto 35,
Borgosatollo, Brescia - Italia
www.enapart.it
vendite@enapart.it



Barbaros Mah. Ihlamur Bul. Aĝaoĝlu
My Newwork No:3/15 Ataşehir / İstanbul
www.enapart.net
satis@enapart.net



PRIVADA 10 B SUR #3908 COL.
ANZUREZ, C.P. 72530, PUEBLA, PUE
www.enapart.com.mx
sales@enapart.com.mx



Friedrich-Ebert-Anlage 36, 60325
Frankfurt am Main, Germany
www.enapart.de
anfrage@enapart.de



4 boulevard Carnot, 95400
villiers-le-bel, Paris, France
www.enapart.fr
sales@enapart.fr



65049, ОДЕСА, ВУЛИЦЯ ІВАНА
ФРАНКА, БУДИНОК 55, ПОВЕРХ 3
www.enapart.com.ua
sales@enapart.com.ua



MUNICIPIUL BUCUREȘTI, SECTOR 3,
B-DUL BASARABIA, NR.250, CORP P+5
www.enapart.ro
sales@enapart.ro



〒584-0023 大阪府富田林市若松町
東2丁目2番16号
www.enapart.co.jp
sales@enapart.co.jp



PLAZA NUESTRA SEÑORA DE LAS
NIEVES 12 ,LOCAL ,50012,ZARAGOZA
www.enapart.es
ventas@enapart.es

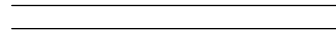


Складова база „Онгъл“, Склад А2, п.к.
4006, гр. Пловдив, България
www.enapart.bg
sales@enapart.bg

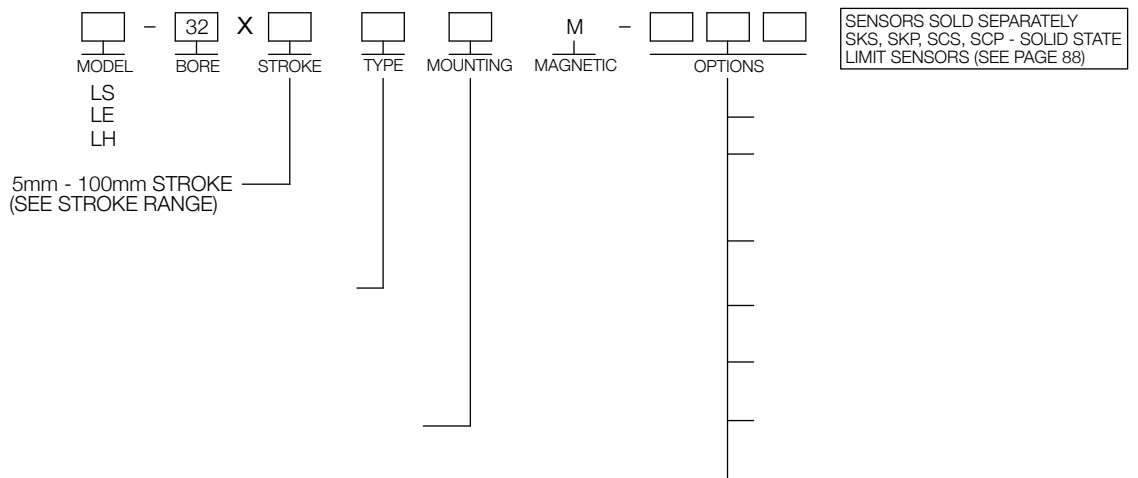


3 Austin Mews, High Street, Hemel
Hempstead, HP1 3AF , United Kingdom
www.enapart.co.uk
sales@enapart.co.uk

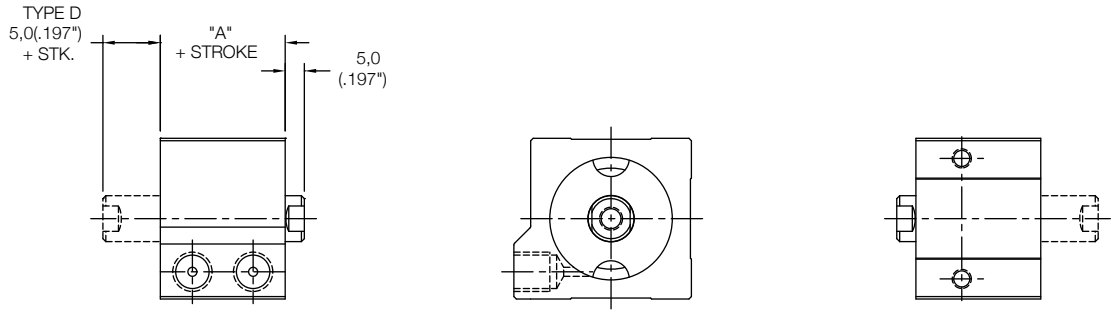
Magnetic Front Mount Cylinder "MF"



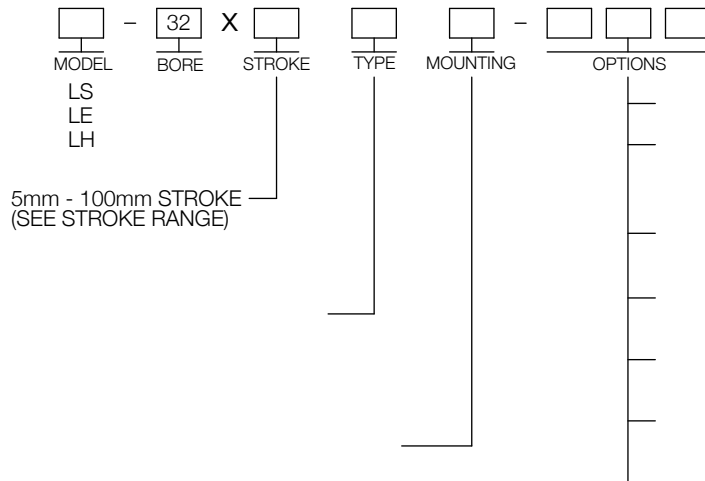
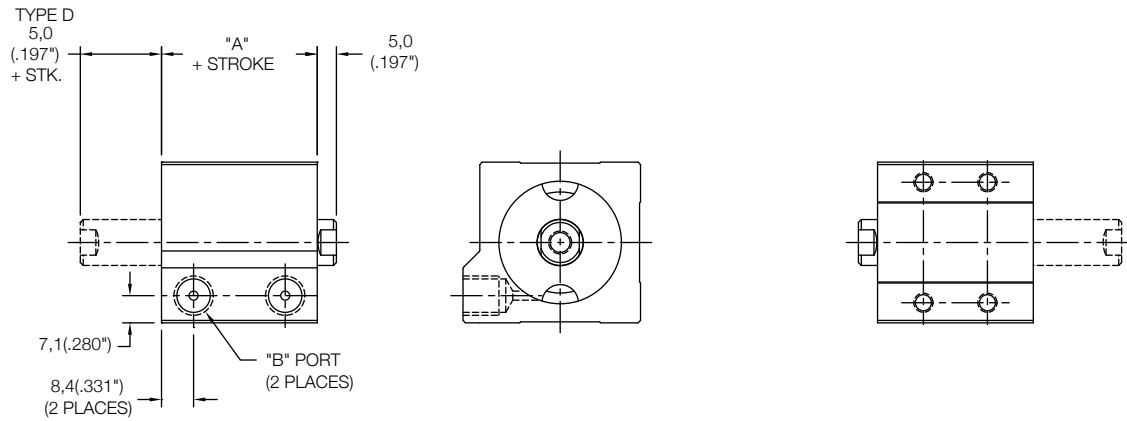
Magnetic Thru Mount Cylinder "MT"



Non Magnetic Side Mount Cylinder "MS"



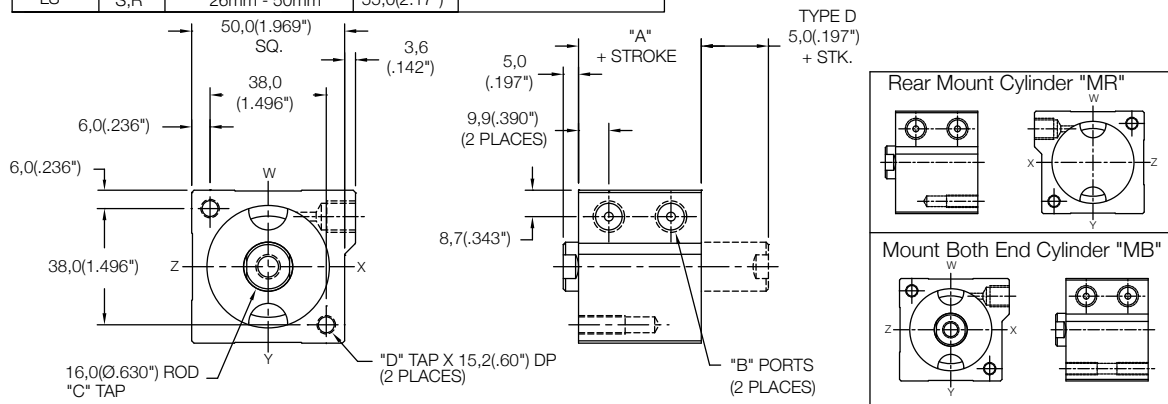
Non Magnetic Side Mount Cylinder "MS"



Non Magnetic Front Mount Cylinder "MF"

MODEL	TYPE	STANDARD STROKES	"A"	PISTON AREA
LS	_,D	10mm - 100mm	25,0(0.98")	PUSH 12,56 cm ² (1.95 in ²) PULL 10,55 cm ² (1.64 in ²)
LE	-	5mm - 100mm	35,0(1.38")	
LH	-	5mm - 100mm	40,0(1.58")	PULL 10,55 cm ² (1.64 in ²)
LH	D	5mm - 100mm	45,0(1.78")	
LS	S,R	5mm - 25mm	45,0(1.78")	
LS	S,R	26mm - 50mm	55,0(2.17")	

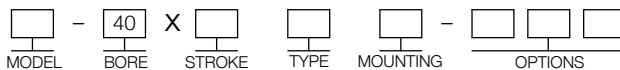
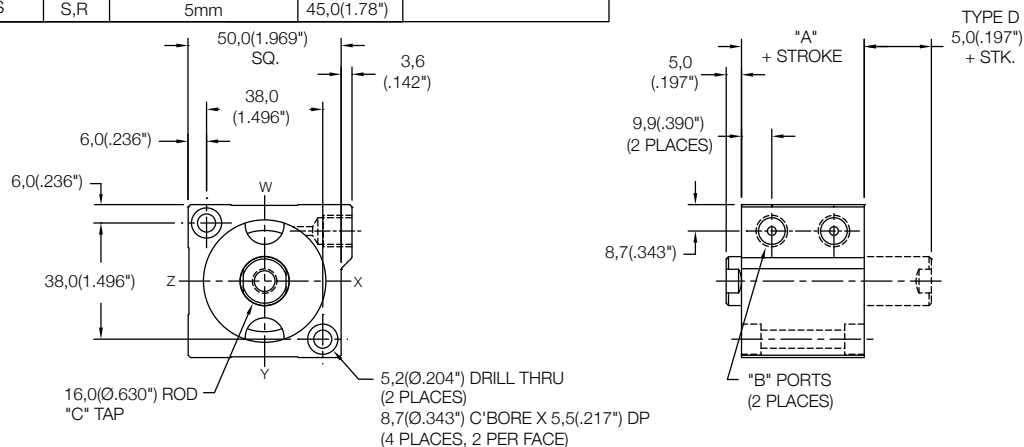
	Standard Threads	"EM" Option
"B"	G1/8 PORT	1/8-27
"C"	M8X1,25	5/16-18
"D"	M6X1,0	1/4-20



Non Magnetic Thru Mount Cylinder "MT"

MODEL	TYPE	STANDARD STROKES	"A"	PISTON AREA
LS	_,D	10mm - 25mm	25,0(0.98")	PUSH 12,56 cm ² (1.95 in ²) PULL 10,55 cm ² (1.64 in ²)
LE	-	5mm - 15mm	35,0(1.38")	
LH	-	5mm - 10mm	40,0(1.58")	PULL 10,55 cm ² (1.64 in ²)
LH	D	5mm	45,0(1.78")	
LS	S,R	5mm	45,0(1.78")	

	Standard Threads	"EM" Option
"B"	G1/8 PORT	1/8-27
"C"	M8X1,25	5/16-18



MODEL
LS
LE
LH

5mm - 100mm STROKE
(SEE STROKE RANGE)

BLANK - NO CODE, DOUBLE ACTING, SINGLE ROD
D - DOUBLE ACTING, DOUBLE ROD
S - SINGLE ACTING, SPRING RETRACT
R - SINGLE ACTING, SPRING EXTEND

MT - THRU MOUNT
MF - FRONT MOUNT
MR - REAR MOUNT
MB - BOTH END MOUNTS
FF - FRONT FLANGE
FR - REAR FLANGE
(FOR FLANGES SEE PAGE 92)

PR - REAR PIVOT
PL - LONG PIVOT
(FOR PIVOTS SEE PAGE 94)

EM - INCH THREADS & PORT OPTIONS

HS - HIGH TEMPERATURE SEALS OPTION:
AVAILABLE ON LE AND LH MODELS ONLY
(SEE PAGE 97)

PE - PORT ENLARGEMENT (AVAILABLE W/
"EM" OPTION ONLY = 1/4-18 NPT PORTS)

RE - ROD EYE
(SEE PAGE 96)

RS - MALE STUD FOR ROD END
(SEE PAGE 96)

RF, RH, RN, RT, RV, RY - ROD EXTENSIONS
(SEE PAGE 96)

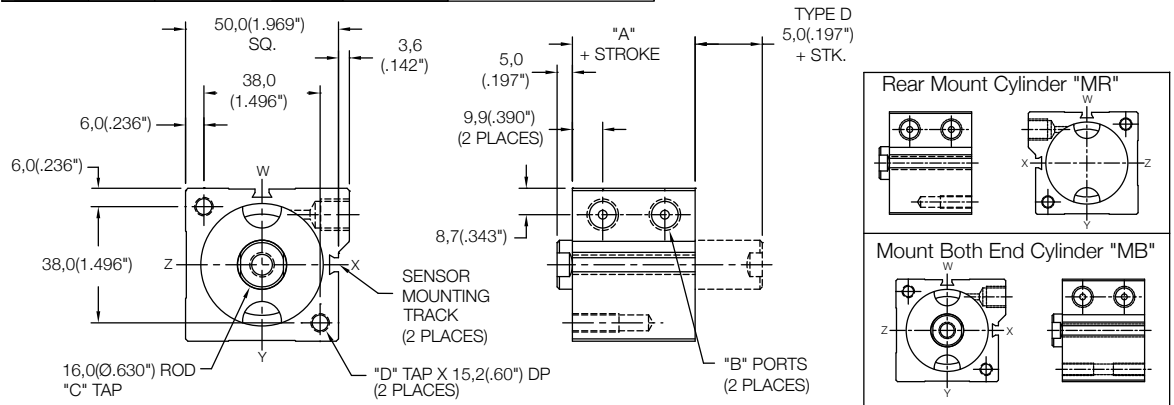
SH - HYDRAULIC OPTION (35 BAR 500 PSI)
(SEE PAGE 97)

UB, UF, UR - URETHANE SHOCK PAD OPTION
(SEE PAGE 97)

Magnetic Front Mount Cylinder "MF"

MODEL	TYPE	STANDARD STROKES	"A"	PISTON AREA
LS	_D	5mm - 100mm	30,0(1.18")	PUSH 12,56 cm ² (1.95 in ²) PULL 10,55 cm ² (1.64 in ²)
LE	-	5mm - 100mm	40,0(1.58")	
LH	-	5mm - 100mm	45,0(1.78")	PULL 10,55 cm ² (1.64 in ²)
LH	D	5mm - 100mm	50,0(1.98")	
LS	S,R	5mm - 25mm	50,0(1.97")	
LS	S,R	26mm - 50mm	60,0(2.36")	

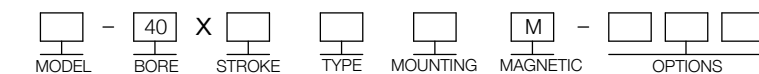
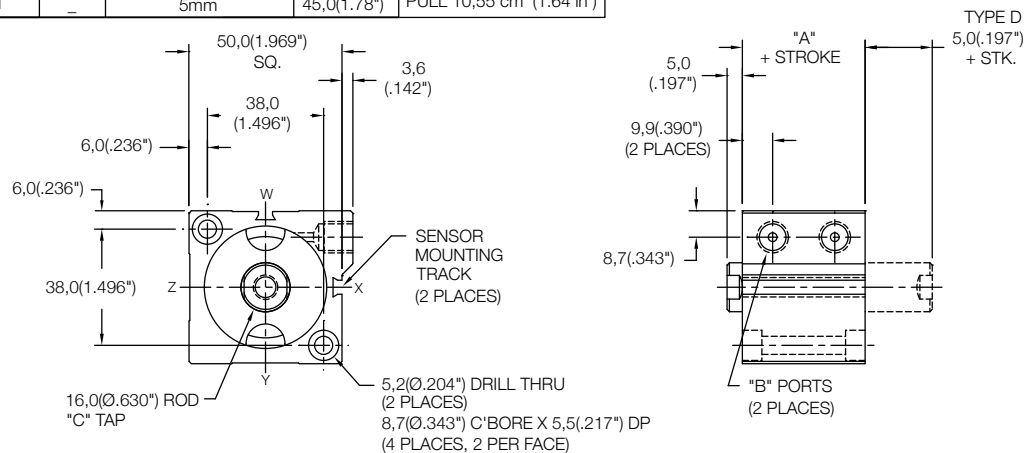
	Standard Threads	"EM" Option
"B"	G1/8 PORT	1/8-27
"C"	M8X1,25	5/16-18
"D"	M6X1,0	1/4-20



Magnetic Thru Mount Cylinder "MT"

MODEL	TYPE	STANDARD STROKES	"A"	PISTON AREA
LS	_D	5mm - 20mm	30,0(1.18")	PUSH 12,56 cm ² (1.95 in ²) PULL 10,55 cm ² (1.64 in ²)
LE	-	5mm - 10mm	40,0(1.58")	
LH	-	5mm	45,0(1.78")	

	Standard Threads	"EM" Option
"B"	G1/8 PORT	1/8-27
"C"	M8X1,25	5/16-18



- MODEL: LS, LE, LH
- 5mm - 100mm STROKE (SEE STROKE RANGE)
- BLANK - NO CODE, DOUBLE ACTING, SINGLE ROD
- D - DOUBLE ACTING, DOUBLE ROD
- S - SINGLE ACTING, SPRING RETRACT
- R - SINGLE ACTING, SPRING EXTEND
- MT - THRU MOUNT
- MF - FRONT MOUNT
- MR - REAR MOUNT
- MB - BOTH END MOUNTS
- FF - FRONT FLANGE
- FR - REAR FLANGE (FOR FLANGES SEE PAGE 92)
- PR - REAR PIVOT
- PL - LONG PIVOT (FOR PIVOTS SEE PAGE 94)

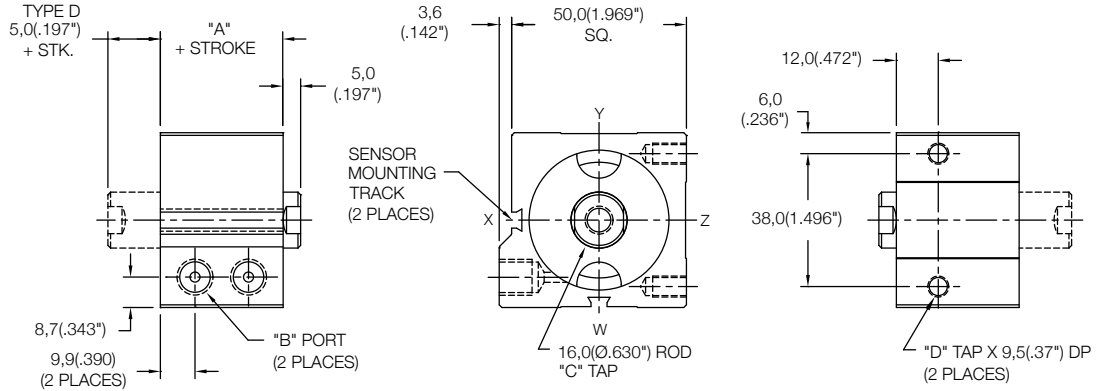
SENSORS SOLD SEPARATELY
SKS, SKP, SCS, SCP - SOLID STATE
LIMIT SENSORS (SEE PAGE 88)

- EM - INCH THREADS & PORT OPTIONS
- HS - HIGH TEMPERATURE SEALS OPTION: AVAILABLE ON LE AND LH MODELS ONLY (SEE PAGE 97)
- PE - PORT ENLARGEMENT (AVAILABLE W/ "EM" OPTION ONLY = 1/4-18 NPT PORTS)
- RE - ROD EYE (SEE PAGE 96)
- RS - MALE STUD FOR ROD END (SEE PAGE 96)
- RF, RH, RN, RT, RV, RY - ROD EXTENSIONS (SEE PAGE 96)
- SH - HYDRAULIC OPTION (35 BAR 500 PSI) (SEE PAGE 97)
- UB, UF, UR - URETHANE SHOCK PAD OPTION (SEE PAGE 97)

Magnetic Side Mount Cylinder "MS"

MODEL	TYPE	STANDARD STROKES	"A"	PISTON AREA
LS	_,D	5mm - 15mm	30,0(1.18")	PUSH 12,56 cm ² (1.95 in ²)
LE	-	5mm	40,0(1.58")	PULL 10,55 cm ² (1.64 in ²)

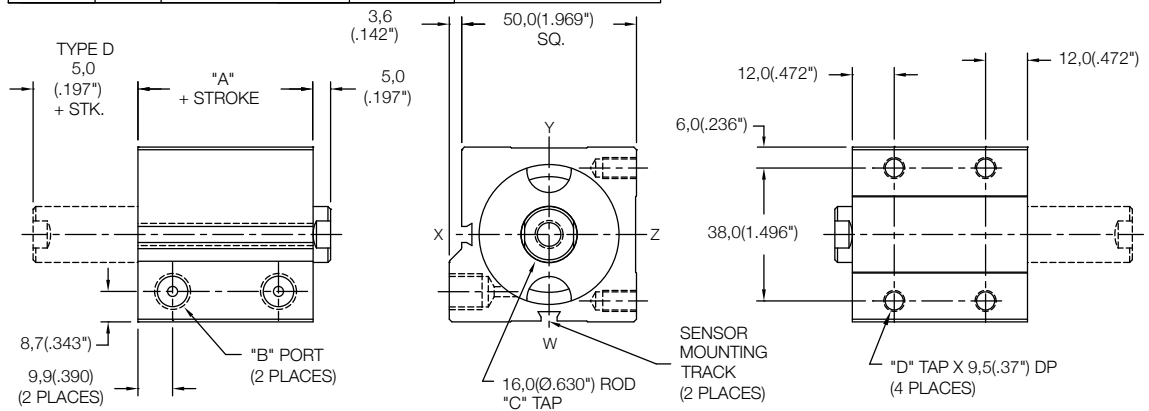
	Standard Threads	"EM" Option
"B"	G1/8 PORT	1/8-27
"C"	M8X1,25	5/16-18
"D"	M6X1,0	1/4-20



Magnetic Side Mount Cylinder "MS"

MODEL	TYPE	STANDARD STROKES	"A"	PISTON AREA
LS	_,D	20mm - 100mm	30,0(1.18")	PUSH 12,56 cm ² (1.95 in ²)
LE	-	10mm - 100mm	40,0(1.58")	PULL 10,55 cm ² (1.64 in ²)
LH	-	5mm - 100mm	45,0(1.78")	
LH	D	5mm - 100mm	50,0(1.97")	
LS	S,R	5mm - 25mm	50,0(1.97")	
LS	S,R	26mm - 50mm	60,0(2.36")	

	Standard Threads	"EM" Option
"B"	G1/8 PORT	1/8-27
"C"	M8X1,25	5/16-18
"D"	M6X1,0	1/4-20



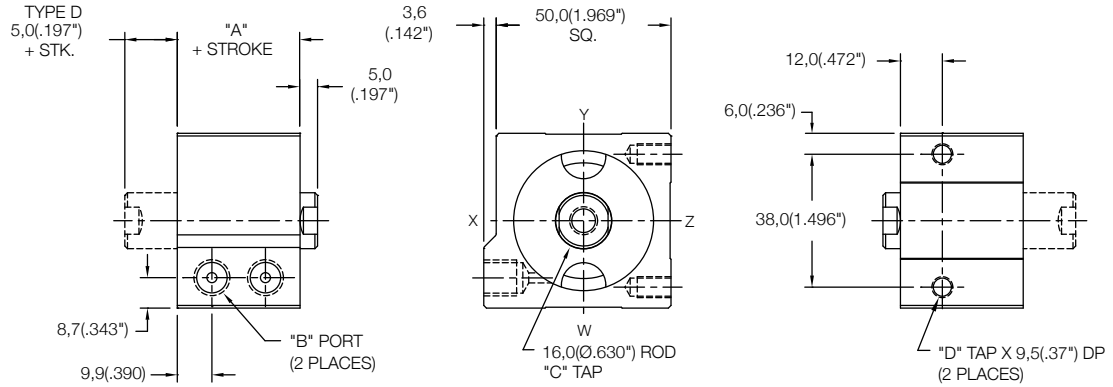
SENSORS SOLD SEPARATELY
 SKS, SKP, SCS, SCP - SOLID STATE
 LIMIT SENSORS (SEE PAGE 88)

<div style="border: 1px solid black; width: 20px; height: 20px; margin: 0 auto;"></div> MODEL LS LE LH	-	<div style="border: 1px solid black; width: 20px; height: 20px; margin: 0 auto;"></div> BORE 40	X	<div style="border: 1px solid black; width: 20px; height: 20px; margin: 0 auto;"></div> STROKE 5mm - 100mm STROKE (SEE STROKE RANGE)	<div style="border: 1px solid black; width: 20px; height: 20px; margin: 0 auto;"></div> TYPE BLANK - NO CODE, DOUBLE ACTING, SINGLE ROD D - DOUBLE ACTING, DOUBLE ROD S - SINGLE ACTING, SPRING RETRACT R - SINGLE ACTING, SPRING EXTEND	<div style="border: 1px solid black; width: 20px; height: 20px; margin: 0 auto;"></div> MOUNTING MS - SIDE MOUNT FE - FLANGE ON END FS - FLANGE ON SIDE (SEE PAGE 93)	<div style="border: 1px solid black; width: 20px; height: 20px; margin: 0 auto;"></div> MAGNETIC M	<div style="border: 1px solid black; width: 20px; height: 20px; margin: 0 auto;"></div> -	<div style="border: 1px solid black; width: 20px; height: 20px; margin: 0 auto;"></div> -	<div style="border: 1px solid black; width: 20px; height: 20px; margin: 0 auto;"></div> -	OPTIONS EM - INCH THREADS & PORT OPTIONS HS - HIGH TEMPERATURE SEALS OPTION: AVAILABLE ON LE AND LH MODELS ONLY (SEE PAGE 97) PE - PORT ENLARGEMENT (AVAILABLE W/ "EM" OPTION ONLY = 1/4-18 NPT PORTS) RE - ROD EYE (SEE PAGE 96) RS - MALE STUD FOR ROD END (SEE PAGE 96) RF, RH, RN, RT, RV, RY - ROD EXTENSIONS (SEE PAGE 96) SH - HYDRAULIC OPTION (35 BAR 500 PSI) (SEE PAGE 97) UB, UF, UR - URETHANE SHOCK PAD OPTION (SEE PAGE 97)
---	---	--	---	--	---	---	---	---	---	---	--

Non Magnetic Side Mount Cylinder "MS"

MODEL	TYPE	STANDARD STROKES	"A"	PISTON AREA
LS	...D	10mm - 20mm	25,0(0.98")	PUSH 12,56 cm ² (1.95 in ²)
LE	-	5mm - 10mm	35,0(1.38")	PULL 10,55 cm ² (1.64 in ²)
LH	-	5mm	40,0(1.58")	

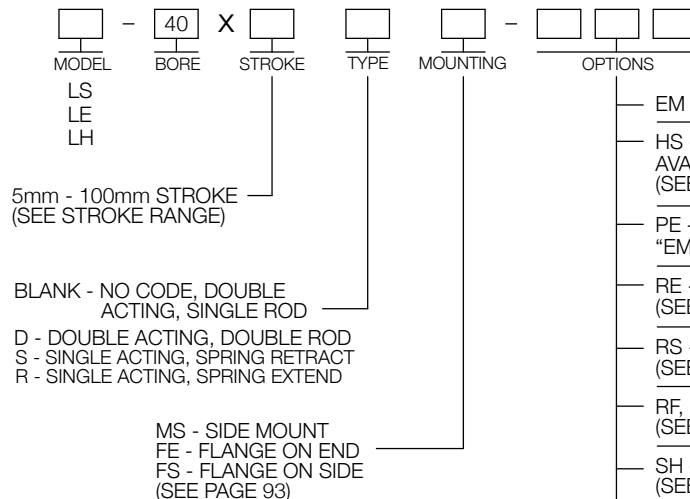
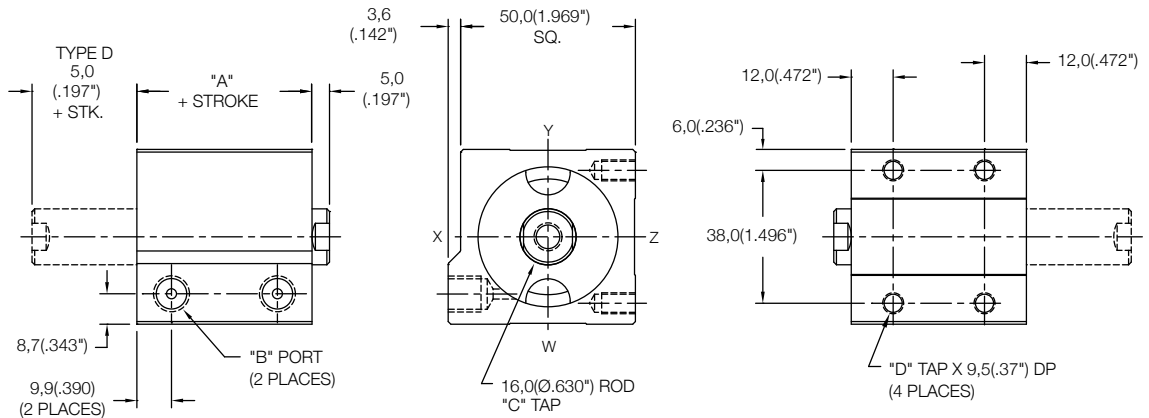
	Standard Threads	"EM" Option
"B"	G1/8 PORT	1/8-27
"C"	M8X1,25	5/16-18
"D"	M6X1,0	1/4-20



Non Magnetic Side Mount Cylinder "MS"

MODEL	TYPE	STANDARD STROKES	"A"	PISTON AREA
LS	...D	25mm - 100mm	25,0(0.98")	PUSH 12,56 cm ² (1.95 in ²)
LE	-	15mm - 100mm	35,0(1.38")	PULL 10,55 cm ² (1.64 in ²)
LH	-	10mm - 100mm	40,0(1.58")	
LH	D	5mm - 100mm	45,0(1.78")	
LS	S,R	5mm - 25mm	45,0(1.78")	
LS	S,R	26mm - 50mm	55,0(2.17")	

	Standard Threads	"EM" Option
"B"	G1/8 PORT	1/8-27
"C"	M8X1,25	5/16-18
"D"	M6X1,0	1/4-20

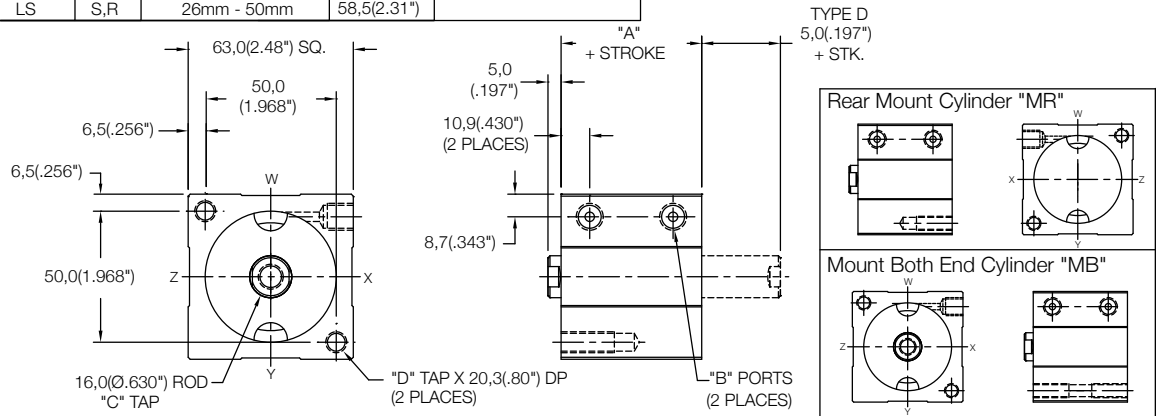


- EM - INCH THREADS & PORT OPTIONS
- HS - HIGH TEMPERATURE SEALS OPTION: AVAILABLE ON LE AND LH MODELS ONLY (SEE PAGE 97)
- PE - PORT ENLARGEMENT (AVAILABLE W/ "EM" OPTION ONLY = 1/4-18 NPT PORTS)
- RE - ROD EYE (SEE PAGE 96)
- RS - MALE STUD FOR ROD END (SEE PAGE 96)
- RF, RH, RN, RT, RV, RY - ROD EXTENSIONS (SEE PAGE 96)
- SH - HYDRAULIC OPTION (35 BAR 500 PSI) (SEE PAGE 97)
- UB, UF, UR - URETHANE SHOCK PAD OPTION (SEE PAGE 97)

Non Magnetic Front Mount Cylinder "MF"

MODEL	TYPE	STANDARD STROKES	"A"	PISTON AREA
LS	_,D	10mm - 100mm	28,5(1.12")	PUSH 19,63 cm ² (3.04 in ²)
LE	_	5mm - 100mm	38,5(1.52")	
LH	_	5mm - 100mm	43,5(1.72")	PULL 17,62 cm ² (2.73 in ²)
LH	D	5mm - 100mm	48,5(1.91")	
LS	S,R	5mm - 25mm	48,5(1.91")	
LS	S,R	26mm - 50mm	58,5(2.31")	

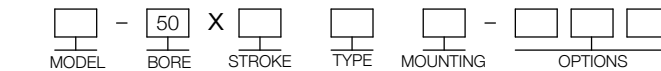
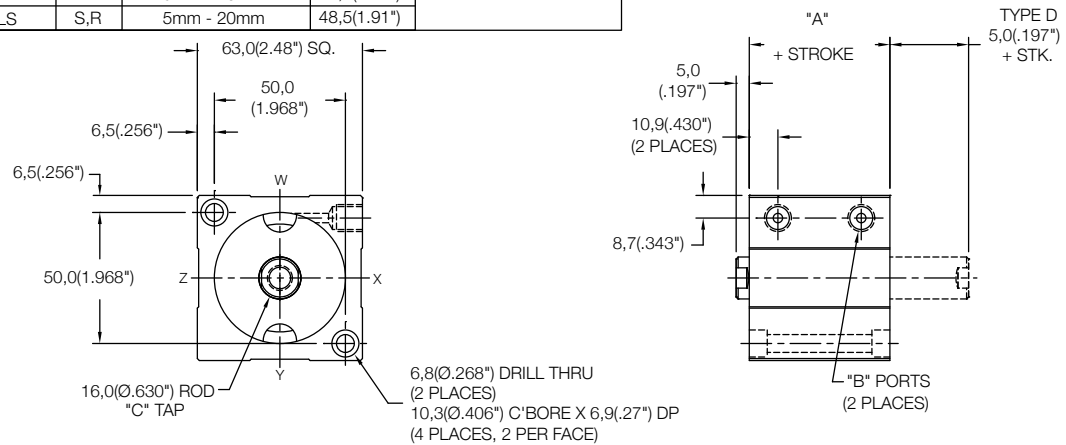
	Standard Threads	"EM" Option
"B"	G1/8 PORT	1/8-27
"C"	M10X1,5	3/8-24
"D"	M8X1,25	5/16-18



Non Magnetic Thru Mount Cylinder "MT"

MODEL	TYPE	STANDARD STROKES	"A"	PISTON AREA
LS	_,D	10mm - 40mm	28,5(1.12")	PUSH 19,63 cm ² (3.04 in ²)
LE	_	5mm - 30mm	38,5(1.52")	
LH	_	5mm - 25mm	43,5(1.72")	PULL 17,62 cm ² (2.73 in ²)
LH	D	5mm - 20mm	48,5(1.91")	
LS	S,R	5mm - 20mm	48,5(1.91")	

	Standard Threads	"EM" Option
"B"	G1/8 PORT	1/8-27
"C"	M10X1,5	3/8-24

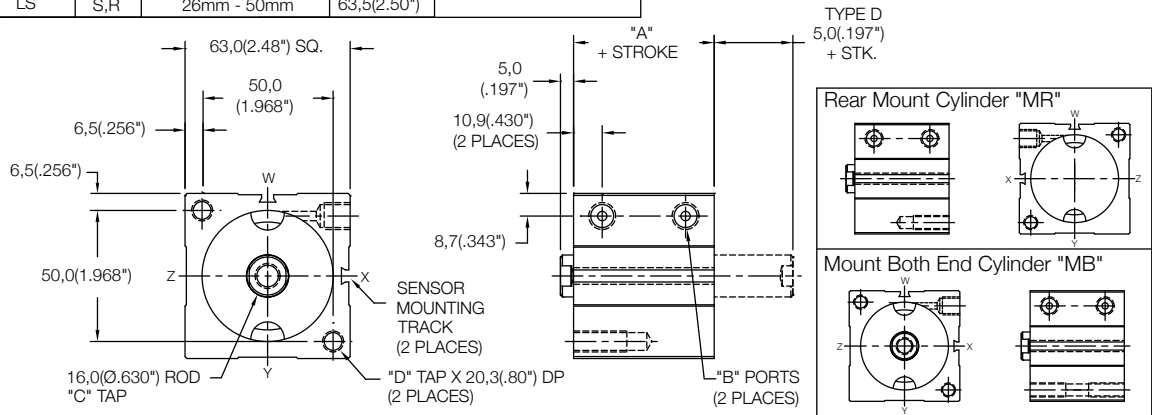


- MODEL: LS, LE, LH
- 5mm - 100mm STROKE (SEE STROKE RANGE)
- BLANK - NO CODE, DOUBLE ACTING, SINGLE ROD
- D - DOUBLE ACTING, DOUBLE ROD
- S - SINGLE ACTING, SPRING RETRACT
- R - SINGLE ACTING, SPRING EXTEND
- MT - THRU MOUNT
- MF - FRONT MOUNT
- MR - REAR MOUNT
- MB - BOTH END MOUNTS
- FF - FRONT FLANGE
- FR - REAR FLANGE (FOR FLANGES SEE PAGE 92)
- PR - REAR PIVOT
- PL - LONG PIVOT (FOR PIVOTS SEE PAGE 94)
- EM - INCH THREADS & PORT OPTIONS
- HS - HIGH TEMPERATURE SEALS OPTION: AVAILABLE ON LE AND LH MODELS ONLY (SEE PAGE 97)
- PE - PORT ENLARGEMENT (AVAILABLE W/ "EM" OPTION ONLY = 1/4-18 NPT PORTS)
- RE - ROD EYE (SEE PAGE 96)
- RS - MALE STUD FOR ROD END (SEE PAGE 96)
- RF, RH, RN, RT, RV, RY - ROD EXTENSIONS (SEE PAGE 96)
- SH - HYDRAULIC OPTION (35 BAR 500 PSI) (SEE PAGE 97)
- UB, UF, UR - URETHANE SHOCK PAD OPTION (SEE PAGE 97)

Magnetic Front Mount Cylinder "MF"

MODEL	TYPE	STANDARD STROKES	"A"	PISTON AREA
LS	..D	5mm - 100mm	33,5(1.32")	PUSH 19,63 cm ² (3.04 in ²)
LE	-	5mm - 100mm	43,5(1.72")	
LH	-	5mm - 100mm	48,5(1.91")	PULL 17,62 cm ² (2.73 in ²)
LH	D	5mm - 100mm	53,5(2.11")	
LS	S,R	5mm - 25mm	53,5(2.11")	
LS	S,R	26mm - 50mm	63,5(2.50")	

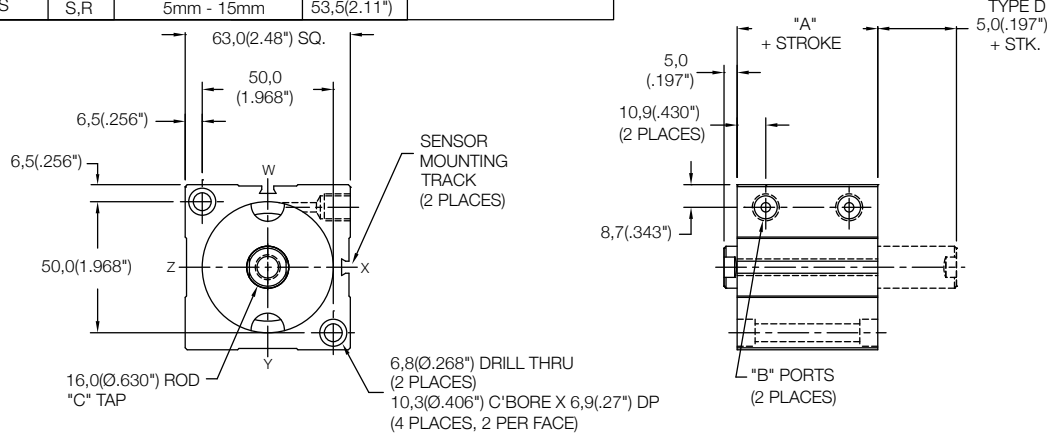
	Standard Threads	"EM" Option
"B"	G1/8 PORT	1/8-27
"C"	M10X1,5	3/8-24
"D"	M8X1,25	5/16-18



Magnetic Thru Mount Cylinder "MT"

MODEL	TYPE	STANDARD STROKES	"A"	PISTON AREA
LS	..D	5mm - 35mm	33,5(1.32")	PUSH 19,63 cm ² (3.04 in ²)
LE	-	5mm - 25mm	43,5(1.72")	
LH	-	5mm - 20mm	48,5(1.91")	PULL 17,62 cm ² (2.73 in ²)
LH	D	5mm - 15mm	53,5(2.11")	
LS	S,R	5mm - 15mm	53,5(2.11")	

	Standard Threads	"EM" Option
"B"	G1/8 PORT	1/8-27
"C"	M10X1,5	3/8-24



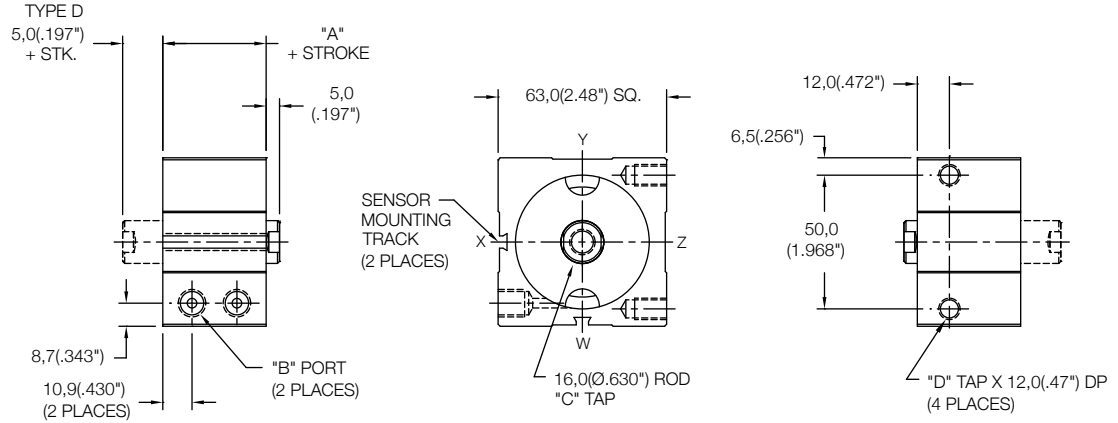
<p>MODEL: LS, LE, LH</p> <p>BORE: 50</p> <p>STROKE: 5mm - 100mm (SEE STROKE RANGE)</p> <p>TYPE: BLANK - NO CODE, DOUBLE ACTING, SINGLE ROD</p> <p>MOUNTING: D - DOUBLE ACTING, DOUBLE ROD; S - SINGLE ACTING, SPRING RETRACT; R - SINGLE ACTING, SPRING EXTEND</p> <p>MAGNETIC: MT - THRU MOUNT; MF - FRONT MOUNT; MR - REAR MOUNT; MB - BOTH END MOUNTS; FF - FRONT FLANGE; FR - REAR FLANGE (FOR FLANGES SEE PAGE 92); PR - REAR PIVOT; PL - LONG PIVOT (FOR PIVOTS SEE PAGE 94)</p>	<p>OPTIONS:</p> <ul style="list-style-type: none"> EM - INCH THREADS & PORT OPTIONS HS - HIGH TEMPERATURE SEALS OPTION: AVAILABLE ON LE AND LH MODELS ONLY (SEE PAGE 97) PE - PORT ENLARGEMENT (AVAILABLE W/ "EM" OPTION ONLY = 1/4-18 NPT PORTS) RE - ROD EYE (SEE PAGE 96) RS - MALE STUD FOR ROD END (SEE PAGE 96) RF, RH, RN, RT, RV, RY - ROD EXTENSIONS (SEE PAGE 96) SH - HYDRAULIC OPTION (35 BAR 500 PSI) (SEE PAGE 97) UB, UF, UR - URETHANE SHOCK PAD OPTION (SEE PAGE 97)
--	---

SENSORS SOLD SEPARATELY
SKS, SKP, SCS, SCP - SOLID STATE
LIMIT SENSORS (SEE PAGE 54)

Magnetic Side Mount Cylinder "MS"

MODEL	TYPE	STANDARD STROKES	"A"	PISTON AREA
LS	_,D	5mm - 15mm	33,5(1.32")	PUSH 19,63 cm ² (3.04 in ²)
LE	_	5mm	43,5(1.72")	PULL 17,62 cm ² (2.73 in ²)

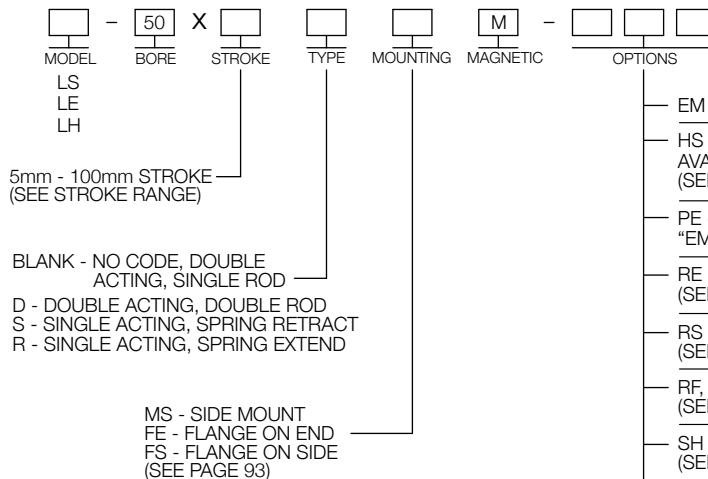
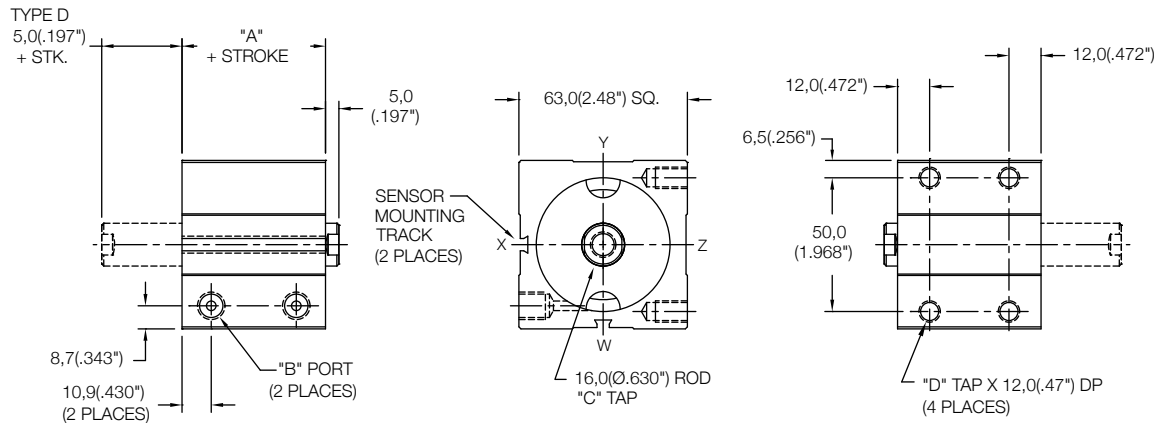
	Standard Threads	"EM" Option
"B"	G1/8 PORT	1/8-27
"C"	M10X1,5	3/8-24
"D"	M8X1,25	5/16-18



Magnetic Side Mount Cylinder "MS"

MODEL	TYPE	STANDARD STROKES	"A"	PISTON AREA
LS	_,D	20mm - 100mm	33,5(1.32")	PUSH 19,63 cm ² (3.04 in ²)
LE	_	10mm - 100mm	43,5(1.72")	
LH	_	5mm - 100mm	48,5(1.91")	PULL 17,62 cm ² (2.73 in ²)
LH	D	5mm - 100mm	53,5(2.11")	
LS	S,R	5mm - 25mm	53,5(2.11")	
LS	S,R	26mm - 50mm	63,5(2.50")	

	Standard Threads	"EM" Option
"B"	G1/8 PORT	1/8-27
"C"	M10X1,5	3/8-24
"D"	M8X1,25	5/16-18



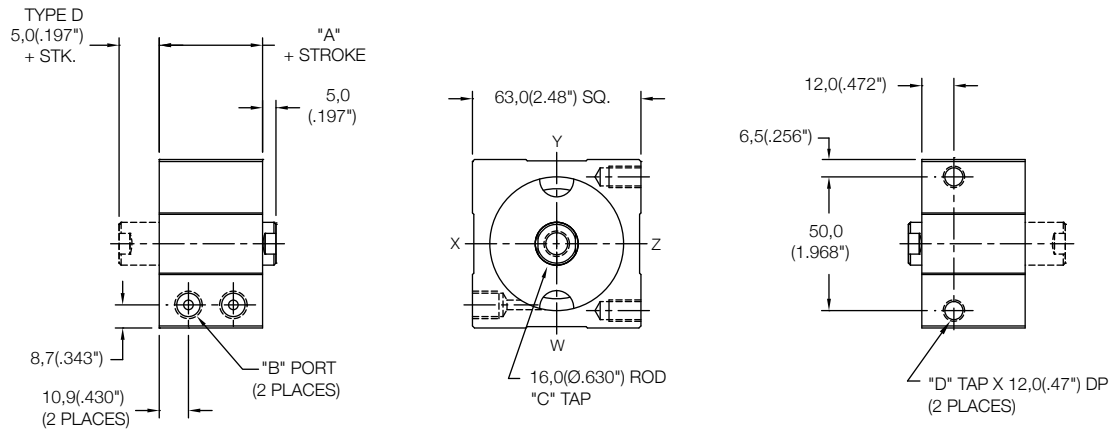
SENSORS SOLD SEPARATELY
SKS, SKP, SCS, SCP - SOLID STATE
LIMIT SENSORS (SEE PAGE 88)

- EM - INCH THREADS & PORT OPTIONS
- HS - HIGH TEMPERATURE SEALS OPTION: AVAILABLE ON LE AND LH MODELS ONLY (SEE PAGE 97)
- PE - PORT ENLARGEMENT (AVAILABLE W/ "EM" OPTION ONLY = 1/4-18 NPT PORTS)
- RE - ROD EYE (SEE PAGE 96)
- RS - MALE STUD FOR ROD END (SEE PAGE 96)
- RF, RH, RN, RT, RV, RY - ROD EXTENSIONS (SEE PAGE 96)
- SH - HYDRAULIC OPTION (35 BAR 500 PSI) (SEE PAGE 97)
- UB, UF, UR - URETHANE SHOCK PAD OPTION (SEE PAGE 97)

Non Magnetic Side Mount Cylinder "MS"

MODEL	TYPE	STANDARD STROKES	"A"	PISTON AREA
LS	_D	10mm - 20mm	28,5(1.12")	PUSH 19,63 cm ² (3.04 in ²)
LE	-	5mm - 10mm	38,5(1.52")	PULL 17,62 cm ² (2.73 in ²)
LH	-	5mm	43,5(1.72")	

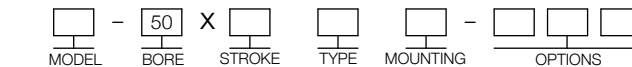
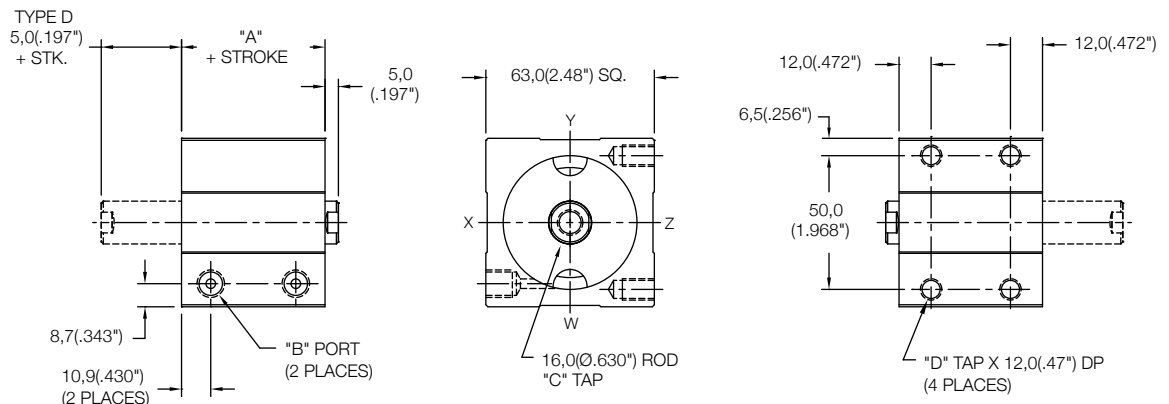
	Standard Threads	"EM" Option
"B"	G1/8 PORT	1/8-27
"C"	M10X1,5	3/8-24
"D"	M8X1,25	5/16-18



Non Magnetic Side Mount Cylinder "MS"

MODEL	TYPE	STANDARD STROKES	"A"	PISTON AREA
LS	_D	25mm - 100mm	28,5(1.12")	PUSH 19,63 cm ² (3.04 in ²)
LE	-	15mm - 100mm	38,5(1.52")	PULL 17,62 cm ² (2.73 in ²)
LH	-	10mm - 100mm	43,5(1.72")	
LH	D	5mm - 100mm	48,5(1.91")	
LS	S,R	5mm - 25mm	48,5(1.91")	
LS	S,R	26mm - 50mm	58,5(2.31")	

	Standard Threads	"EM" Option
"B"	G1/8 PORT	1/8-27
"C"	M10X1,5	3/8-24
"D"	M8X1,25	5/16-18



LS
LE
LH

5mm - 100mm STROKE
(SEE STROKE RANGE)

BLANK - NO CODE, DOUBLE ACTING, SINGLE ROD

D - DOUBLE ACTING, DOUBLE ROD

S - SINGLE ACTING, SPRING RETRACT

R - SINGLE ACTING, SPRING EXTEND

MS - SIDE MOUNT

FE - FLANGE ON END

FS - FLANGE ON SIDE
(SEE PAGE 93)

EM - INCH THREADS & PORT OPTIONS

HS - HIGH TEMPERATURE SEALS OPTION:
AVAILABLE ON LE AND LH MODELS ONLY
(SEE PAGE 97)

PE - PORT ENLARGEMENT (AVAILABLE W/
"EM" OPTION ONLY = 1/4-18 NPT PORTS)

RE - ROD EYE
(SEE PAGE 96)

RS - MALE STUD FOR ROD END
(SEE PAGE 96)

RF, RH, RN, RT, RV, RY - ROD EXTENSIONS
(SEE PAGE 96)

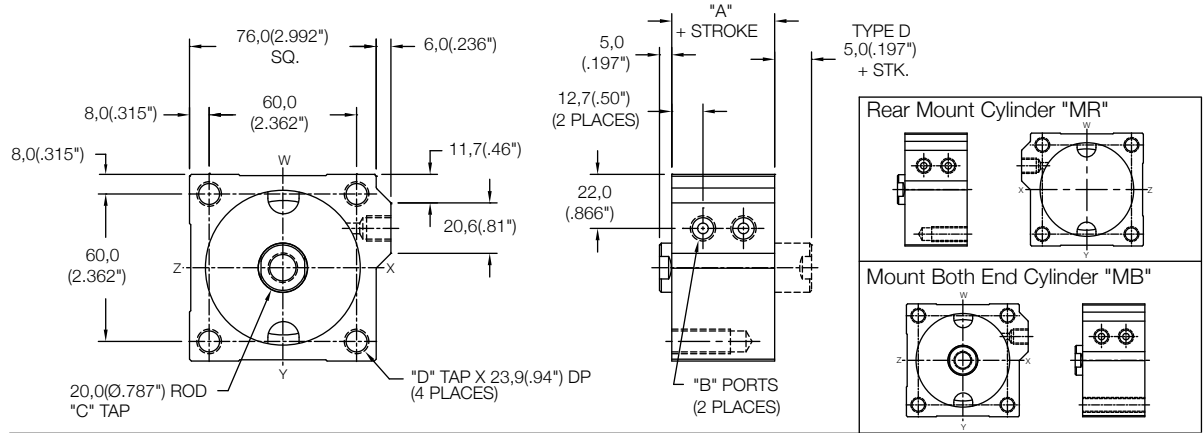
SH - HYDRAULIC OPTION (35 BAR 500 PSI)
(SEE PAGE 97)

UB, UF, UR - URETHANE SHOCK PAD OPTION
(SEE PAGE 97)

Non Magnetic Front Mount Cylinder "MF"

MODEL	TYPE	STANDARD STROKES	"A"	PISTON AREA
LS	...D	10mm - 100mm	32,0(1.26")	PUSH 31,17 cm ² (4.83 in ²)
LE	-	5mm - 100mm	42,0(1.66")	
LH	...D	5mm - 100mm	52,0(2.05")	PULL 28,03 cm ² (4.34 in ²)

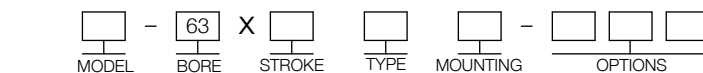
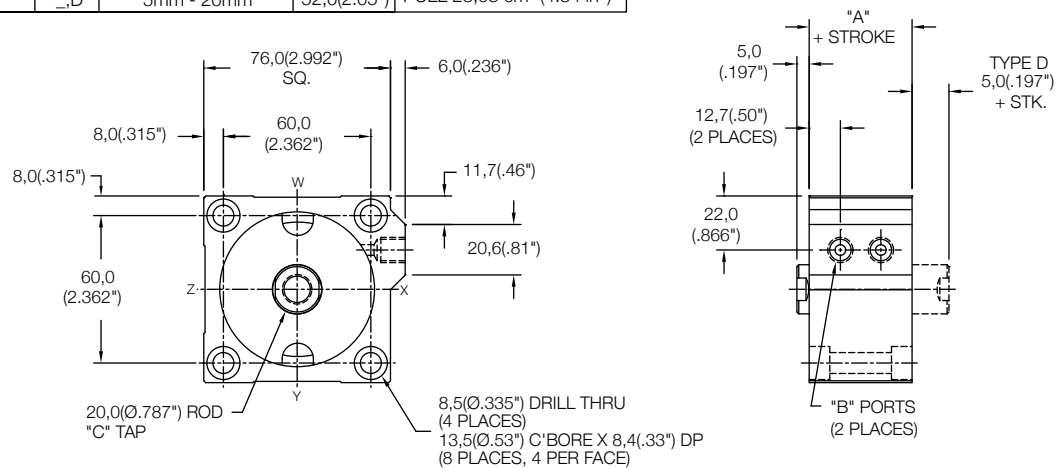
	Standard Threads	"EM" Option
"B"	G1/8 PORT	1/8-27
"C"	M12X1,75	1/2-13
"D"	M10X1,5	3/8-24



Non Magnetic Thru Mount Cylinder "MT"

MODEL	TYPE	STANDARD STROKES	"A"	PISTON AREA
LS	...D	10mm - 40mm	32,0(1.26")	PUSH 31,17 cm ² (4.83 in ²)
LE	-	5mm - 30mm	42,0(1.66")	
LH	...D	5mm - 20mm	52,0(2.05")	PULL 28,03 cm ² (4.34 in ²)

	Standard Threads	"EM" Option
"B"	G1/8 PORT	1/8-27
"C"	M12X1,75	1/2-13



LS
LE
LH

5mm - 100mm STROKE
(SEE STROKE RANGE)

BLANK - NO CODE, DOUBLE ACTING, SINGLE ROD
D - DOUBLE ACTING, DOUBLE ROD

MT - THRU MOUNT
MF - FRONT MOUNT
MR - REAR MOUNT
MB - BOTH END MOUNTS
FF - FRONT FLANGE
FR - REAR FLANGE
(FOR FLANGES SEE PAGE 92)

PR - REAR PIVOT
PL - LONG PIVOT
(FOR PIVOTS SEE PAGE 94)

EM - INCH THREADS & PORT OPTIONS

HS - HIGH TEMPERATURE SEALS OPTION:
AVAILABLE ON LE AND LH MODELS ONLY
(SEE PAGE 97)

PE - PORT ENLARGEMENT (AVAILABLE W/
"EM" OPTION ONLY = 1/4-18 NPT PORTS)

RE - ROD EYE
(SEE PAGE 96)

RS - MALE STUD FOR ROD END
(SEE PAGE 96)

RF, RH, RN, RT, RV, RY - ROD EXTENSIONS
(SEE PAGE 96)

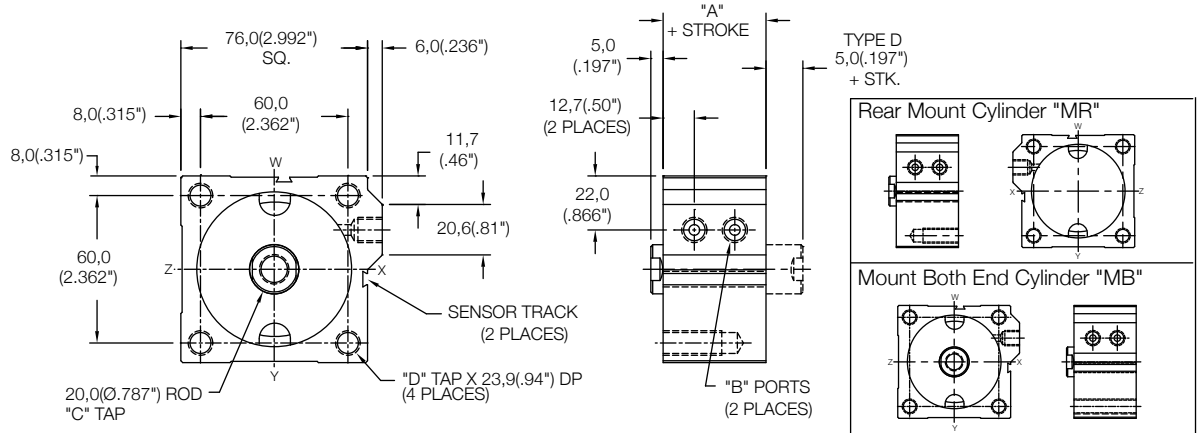
SH - HYDRAULIC OPTION (35 BAR 500 PSI)
(SEE PAGE 97)

UB, UF, UR - URETHANE SHOCK PAD OPTION
(SEE PAGE 97)

Magnetic Front Mount Cylinder "MF"

MODEL	TYPE	STANDARD STROKES	"A"	PISTON AREA
LS	...D	10mm - 100mm	37,0(1.46")	PUSH 31,17 cm ² (4.83 in ²)
LE	-	5mm - 100mm	47,0(1.85")	
LH	...D	5mm - 100mm	57,0(2.25")	PULL 28,03 cm ² (4.34 in ²)

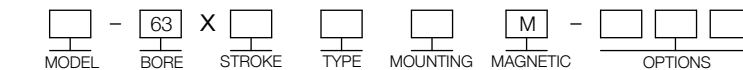
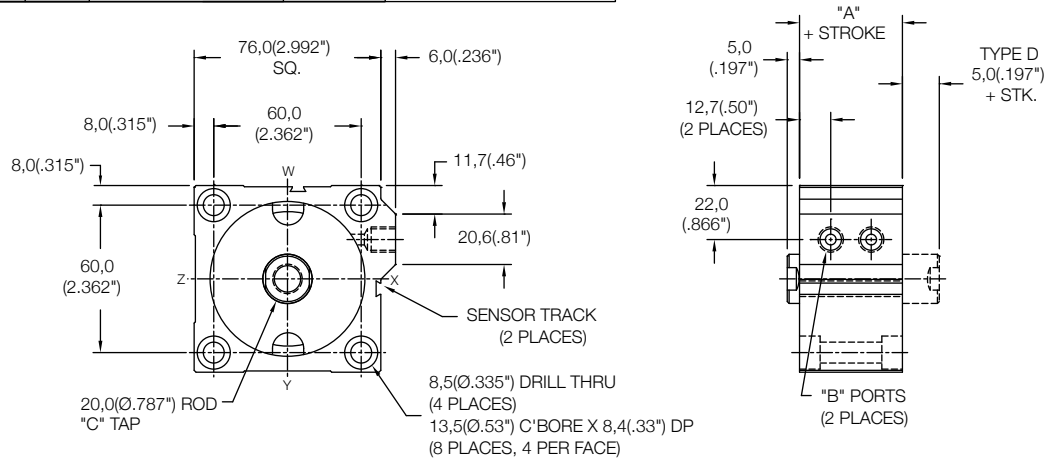
	Standard Threads	"EM" Option
"B"	G1/8 PORT	1/8-27
"C"	M12X1,75	1/2-13
"D"	M10X1,5	3/8-24



Magnetic Thru Mount Cylinder "MT"

MODEL	TYPE	STANDARD STROKES	"A"	PISTON AREA
LS	...D	10mm - 35mm	37,0(1.46")	PUSH 31,17 cm ² (4.83 in ²)
LE	-	5mm - 25mm	47,0(1.85")	
LH	...D	5mm - 15mm	57,0(2.25")	PULL 28,03 cm ² (4.34 in ²)

	Standard Threads	"EM" Option
"B"	G1/8 PORT	1/8-27
"C"	M12X1,75	1/2-13



- MODEL: LS, LE, LH
- BORE: 63
- STROKE: 5mm - 100mm (SEE STROKE RANGE)
- TYPE: BLANK - NO CODE, DOUBLE ACTING, SINGLE ROD; D - DOUBLE ACTING, DOUBLE ROD
- MOUNTING: MT - THRU MOUNT; MF - FRONT MOUNT; MR - REAR MOUNT; MB - BOTH END MOUNTS; FF - FRONT FLANGE; FR - REAR FLANGE (FOR FLANGES SEE PAGE 92); PR - REAR PIVOT; PL - LONG PIVOT (FOR PIVOTS SEE PAGE 94)
- MAGNETIC: M

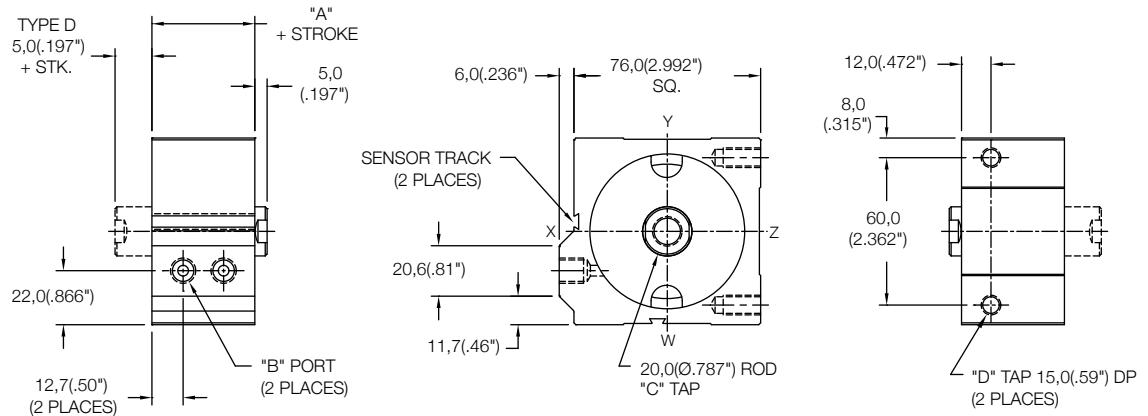
SENSORS SOLD SEPARATELY
SKS, SKP, SCS, SCP - SOLID STATE
LIMIT SENSORS (SEE PAGE 88)

- EM - INCH THREADS & PORT OPTIONS
- HS - HIGH TEMPERATURE SEALS OPTION: AVAILABLE ON LE AND LH MODELS ONLY (SEE PAGE 97)
- PE - PORT ENLARGEMENT (AVAILABLE W/ "EM" OPTION ONLY = 1/4-18 NPT PORTS)
- RE - ROD EYE (SEE PAGE 96)
- RS - MALE STUD FOR ROD END (SEE PAGE 96)
- RF, RH, RN, RT, RV, RY - ROD EXTENSIONS (SEE PAGE 96)
- SH - HYDRAULIC OPTION (35 BAR 500 PSI) (SEE PAGE 97)
- UB, UF, UR - URETHANE SHOCK PAD OPTION (SEE PAGE 97)

Magnetic Side Mount Cylinder "MS"

MODEL	TYPE	STANDARD STROKES	"A"	PISTON AREA
LS	...D	10mm - 15mm	37,0(1.46")	PUSH 31,17 cm ² (4.83 in ²)
LE	...	5mm	47,0(1.85")	PULL 28,03 cm ² (4.34 in ²)

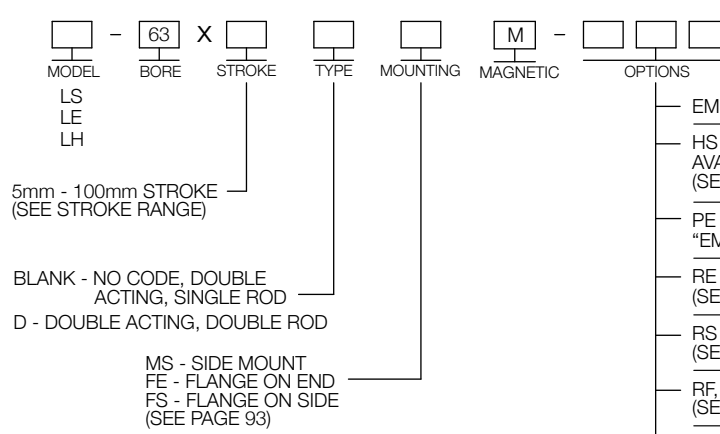
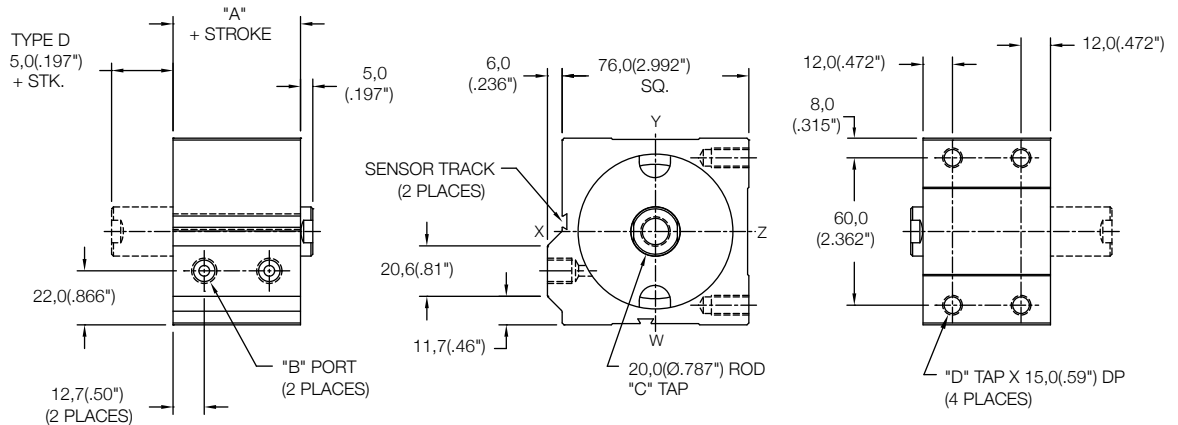
	Standard Threads	"EM" Option
"B"	G1/8 PORT	1/8-27
"C"	M12X1,75	1/2-13
"D"	M8X1,25	5/16-18



Magnetic Side Mount Cylinder "MS"

MODEL	TYPE	STANDARD STROKES	"A"	PISTON AREA
LS	...D	20mm - 100mm	37,0(1.46")	PUSH 31,17 cm ² (4.83 in ²)
LE	...	10mm - 100mm	47,0(1.85")	PULL 28,03 cm ² (4.34 in ²)
LH	...D	5mm - 100mm	57,0(2.25")	PULL 28,03 cm ² (4.34 in ²)

	Standard Threads	"EM" Option
"B"	G1/8 PORT	1/8-27
"C"	M12X1,75	1/2-13
"D"	M8X1,25	5/16-18



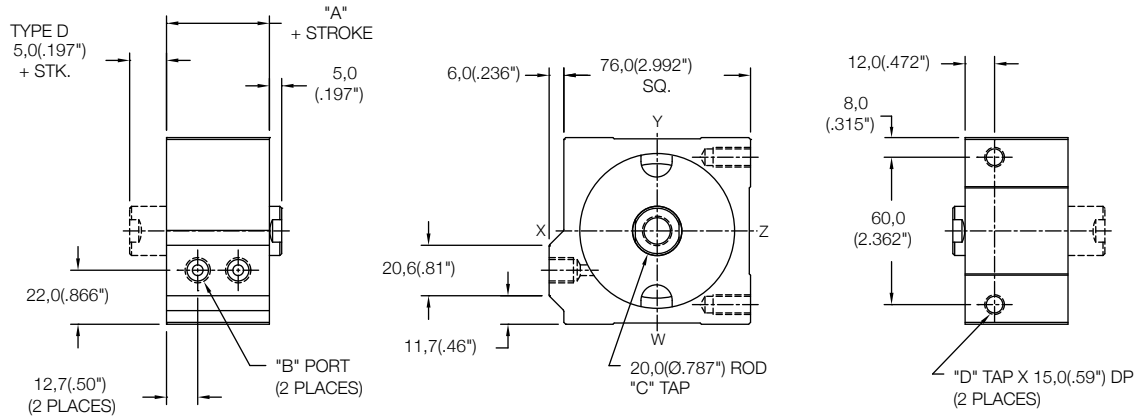
SENSORS SOLD SEPARATELY
SKS, SKP, SCS, SCP - SOLID STATE
LIMIT SENSORS (SEE PAGE 88)

- EM - INCH THREADS & PORT OPTIONS
- HS - HIGH TEMPERATURE SEALS OPTION: AVAILABLE ON LE AND LH MODELS ONLY (SEE PAGE 97)
- PE - PORT ENLARGEMENT (AVAILABLE W/ "EM" OPTION ONLY = 1/4-18 NPT PORTS)
- RE - ROD EYE (SEE PAGE 96)
- RS - MALE STUD FOR ROD END (SEE PAGE 96)
- RF, RH, RN, RT, RV, RY - ROD EXTENSIONS (SEE PAGE 96)
- SH - HYDRAULIC OPTION (35 BAR 500 PSI) (SEE PAGE 97)
- UB, UF, UR - URETHANE SHOCK PAD OPTION (SEE PAGE 97)

Non Magnetic Side Mount Cylinder "MS"

MODEL	TYPE	STANDARD STROKES	"A"	PISTON AREA
LS	_,D	10mm - 20mm	32,0(1.26")	PUSH 31,17 cm ² (4.83 in ²)
LE	-	5mm - 10mm	42,0(1.66")	PULL 28,03 cm ² (4.34 in ²)

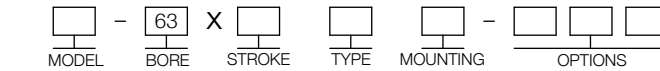
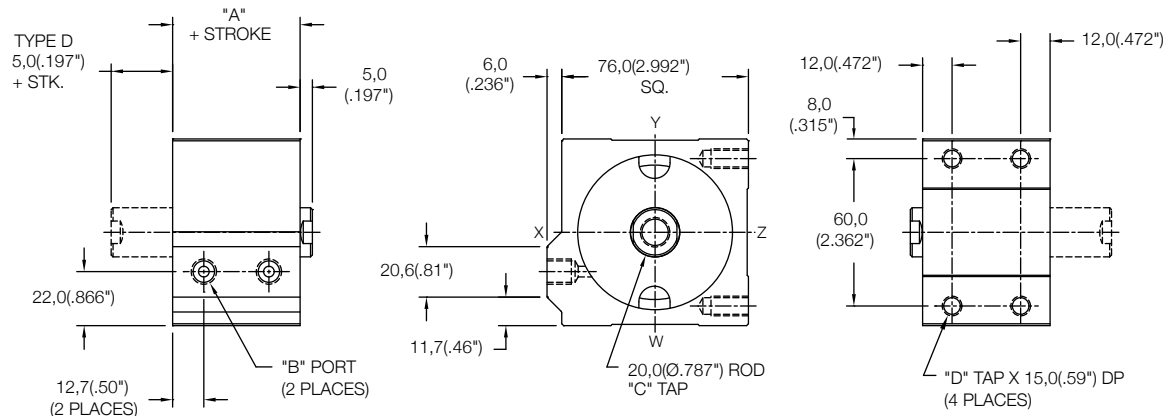
	Standard Threads	"EM" Option
"B"	G1/8 PORT	1/8-27
"C"	M12X1,75	1/2-13
"D"	M8X1,25	5/16-18



Non Magnetic Side Mount Cylinder "MS"

MODEL	TYPE	STANDARD STROKES	"A"	PISTON AREA
LS	_,D	25mm - 100mm	32,0(1.26")	PUSH 31,17 cm ² (4.83 in ²)
LE	-	15mm - 100mm	42,0(1.66")	PULL 28,03 cm ² (4.34 in ²)
LH	_,D	5mm - 100mm	52,0(2.05")	PULL 28,03 cm ² (4.34 in ²)

	Standard Threads	"EM" Option
"B"	G1/8 PORT	1/8-27
"C"	M12X1,75	1/2-13
"D"	M8X1,25	5/16-18



MODEL
LS
LE
LH

5mm - 100mm STROKE
(SEE STROKE RANGE)

BLANK - NO CODE, DOUBLE ACTING, SINGLE ROD
D - DOUBLE ACTING, DOUBLE ROD

MS - SIDE MOUNT
FE - FLANGE ON END
FS - FLANGE ON SIDE
(SEE PAGE 93)

EM - INCH THREADS & PORT OPTIONS

HS - HIGH TEMPERATURE SEALS OPTION:
AVAILABLE ON LE AND LH MODELS ONLY
(SEE PAGE 97)

PE - PORT ENLARGEMENT (AVAILABLE W/
"EM" OPTION ONLY = 1/4-18 NPT PORTS)

RE - ROD EYE
(SEE PAGE 96)

RS - MALE STUD FOR ROD END
(SEE PAGE 96)

RF, RH, RN, RT, RV, RY - ROD EXTENSIONS
(SEE PAGE 96)

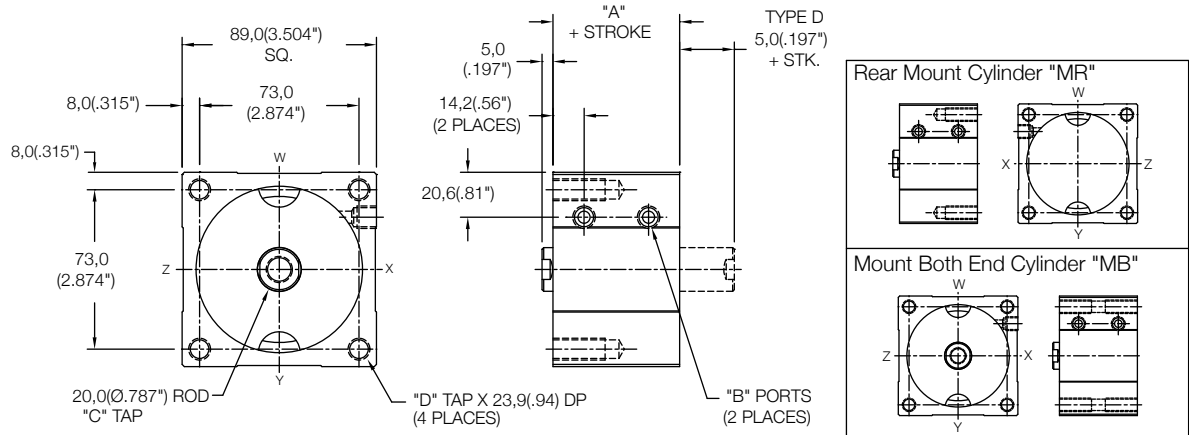
SH - HYDRAULIC OPTION (35 BAR 500 PSI)
(SEE PAGE 97)

UB, UF, UR - URETHANE SHOCK PAD OPTION
(SEE PAGE 97)

Non Magnetic Front Mount Cylinder "MF"

MODEL	TYPE	STANDARD STROKES	"A"	PISTON AREA
LS	...D	10mm - 100mm	38,0(1.50")	PUSH 45,6 cm ² (7.07 in ²)
LE	-	5mm - 100mm	48,0(1.89")	PULL 42,46 cm ² (6.59 in ²)
LH	...D	5mm - 100mm	58,0(2.28")	PULL 42,46 cm ² (6.59 in ²)

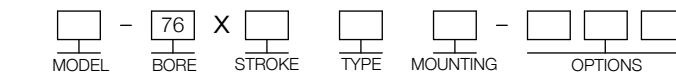
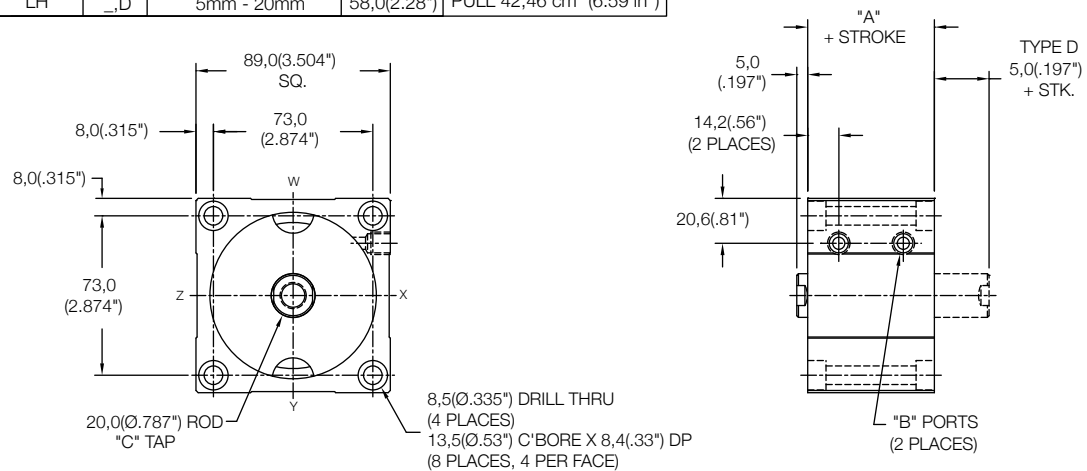
	Standard Threads	"EM" Option
"B"	G1/8 PORT	1/8-27
"C"	M12X1,75	1/2-13
"D"	M10X1,5	3/8-24



Non Magnetic Thru Mount Cylinder "MT"

MODEL	TYPE	STANDARD STROKES	"A"	PISTON AREA
LS	...D	10mm - 40mm	38,0(1.50")	PUSH 45,6 cm ² (7.07 in ²)
LE	-	5mm - 30mm	48,0(1.89")	PULL 42,46 cm ² (6.59 in ²)
LH	...D	5mm - 20mm	58,0(2.28")	PULL 42,46 cm ² (6.59 in ²)

	Standard Threads	"EM" Option
"B"	G1/8 PORT	1/8-27
"C"	M12X1,75	1/2-13



MODEL
LS
LE
LH

5mm - 100mm STROKE
(SEE STROKE RANGE)

BLANK - NO CODE, DOUBLE ACTING, SINGLE ROD
D - DOUBLE ACTING, DOUBLE ROD

MT - THRU MOUNT
MF - FRONT MOUNT
MR - REAR MOUNT
MB - BOTH END MOUNTS
FF - FRONT FLANGE
FR - REAR FLANGE
(FOR FLANGES SEE PAGE 92)

PR - REAR PIVOT
PL - LONG PIVOT
(FOR PIVOTS SEE PAGE 94)

EM - INCH THREADS & PORT OPTIONS

HS - HIGH TEMPERATURE SEALS OPTION:
AVAILABLE ON LE AND LH MODELS ONLY
(SEE PAGE 97)

PE - PORT ENLARGEMENT (AVAILABLE W/
"EM" OPTION ONLY = 1/4-18 NPT PORTS)

RE - ROD EYE
(SEE PAGE 96)

RS - MALE STUD FOR ROD END
(SEE PAGE 96)

RF, RH, RN, RT, RV, RY - ROD EXTENSIONS
(SEE PAGE 96)

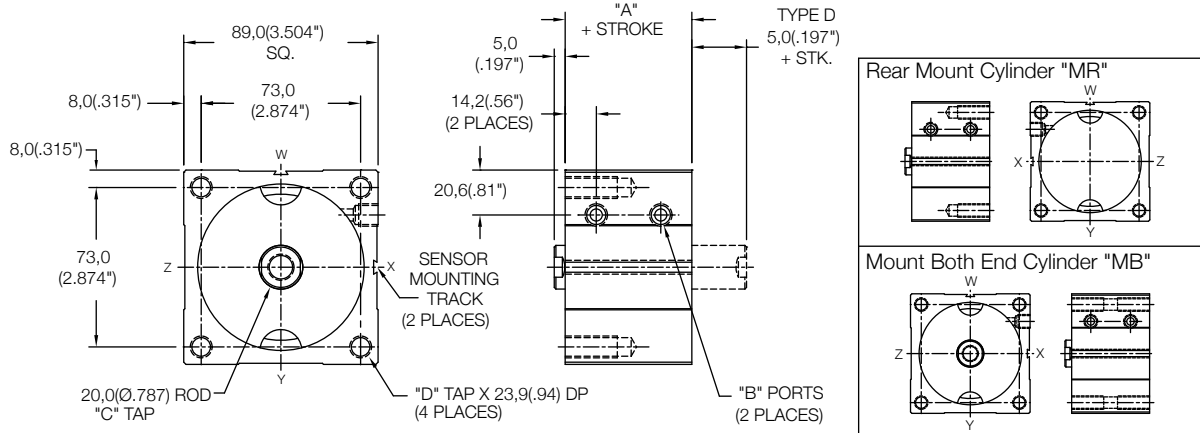
SH - HYDRAULIC OPTION (35 BAR 500 PSI)
(SEE PAGE 97)

UB, UF, UR - URETHANE SHOCK PAD OPTION
(SEE PAGE 97)

Magnetic Front Mount Cylinder "MF"

MODEL	TYPE	STANDARD STROKES	"A"	PISTON AREA
LS	_,D	10mm - 100mm	43,0(1.69")	PUSH 45,6 cm ² (7.07 in ²)
LE	-	5mm - 100mm	53,0(2.09")	PULL 42,46 cm ² (6.59 in ²)
LH	_,D	5mm - 100mm	63,0(2.48")	PULL 42,46 cm ² (6.59 in ²)

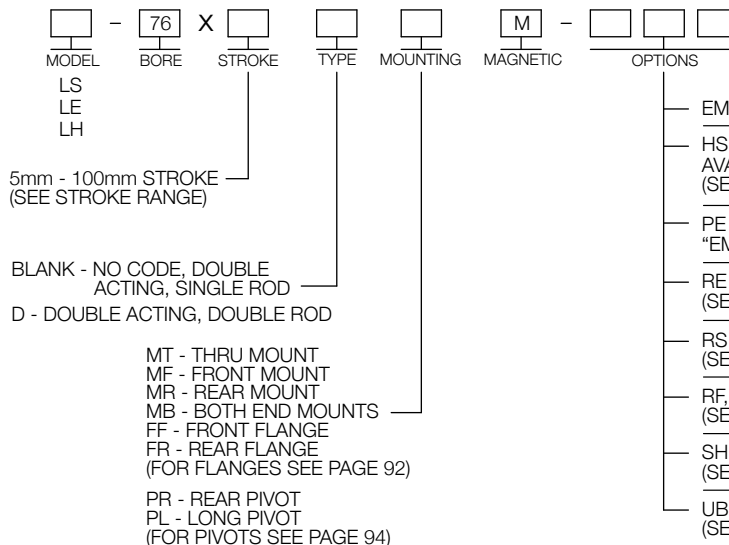
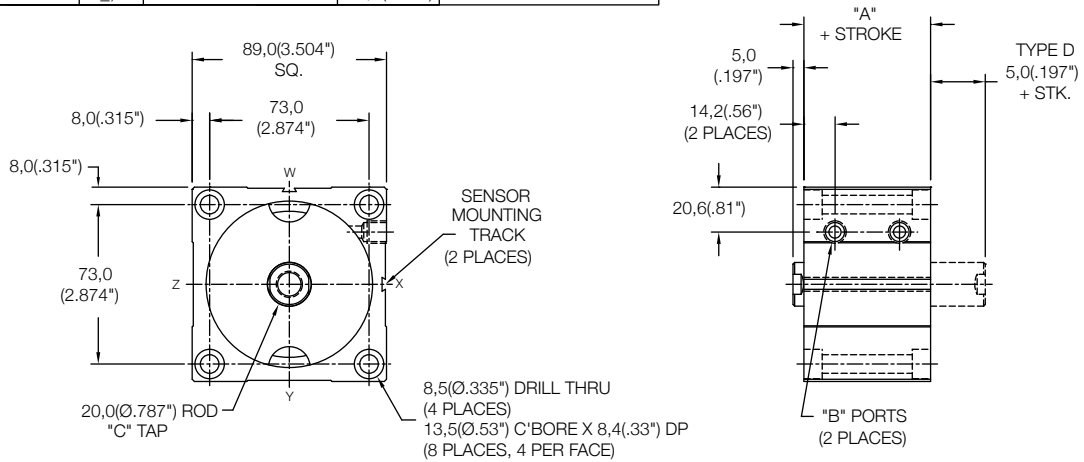
	Standard Threads	"EM" Option
"B"	G1/8 PORT	1/8-27
"C"	M12X1,75	1/2-13
"D"	M10X1,5	3/8-24



Magnetic Thru Mount Cylinder "MT"

MODEL	TYPE	STANDARD STROKES	"A"	PISTON AREA
LS	_,D	10mm - 35mm	43,0(1.69")	PUSH 45,6 cm ² (7.07 in ²)
LE	-	5mm - 25mm	53,0(2.09")	PULL 42,46 cm ² (6.59 in ²)
LH	_,D	5mm - 15mm	63,0(2.48")	PULL 42,46 cm ² (6.59 in ²)

	Standard Threads	"EM" Option
"B"	G1/8 PORT	1/8-27
"C"	M12X1,75	1/2-13

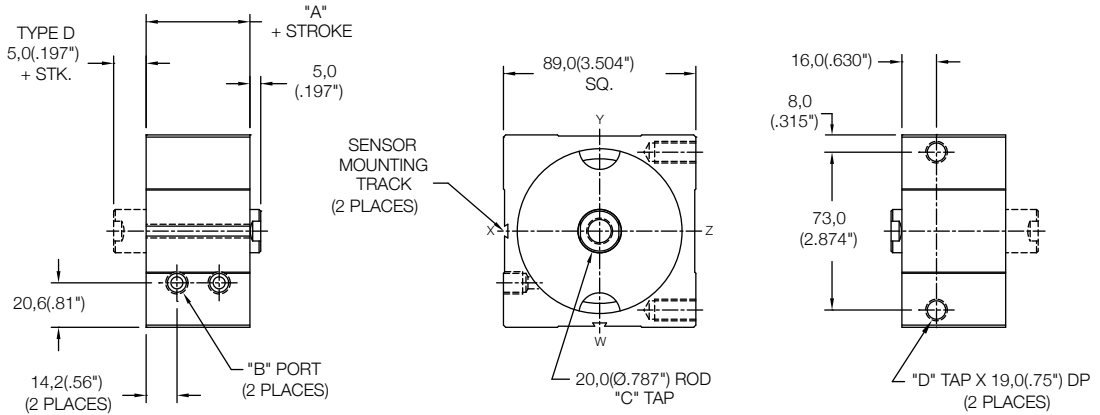


SENSORS SOLD SEPARATELY
SKS, SKP, SCS, SCP - SOLID STATE
LIMIT SENSORS (SEE PAGE 88)

Magnetic Side Mount Cylinder "MS"

MODEL	TYPE	STANDARD STROKES	"A"	PISTON AREA
LS	...D	10mm - 15mm	43,0(1.69")	PUSH 45,6 cm ² (7.07 in ²)
LE	-	5mm	53,0(2.09")	PULL 42,46 cm ² (6.59 in ²)

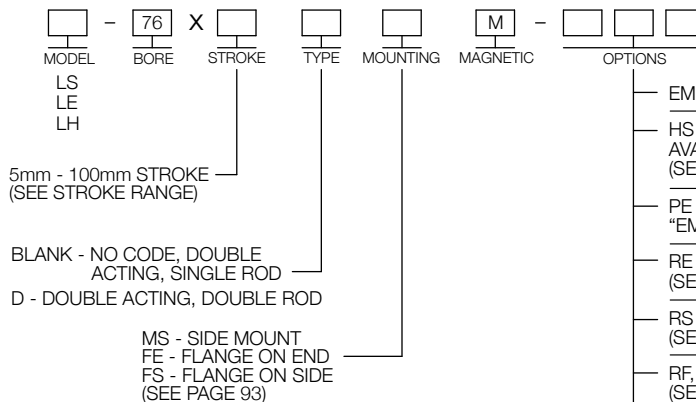
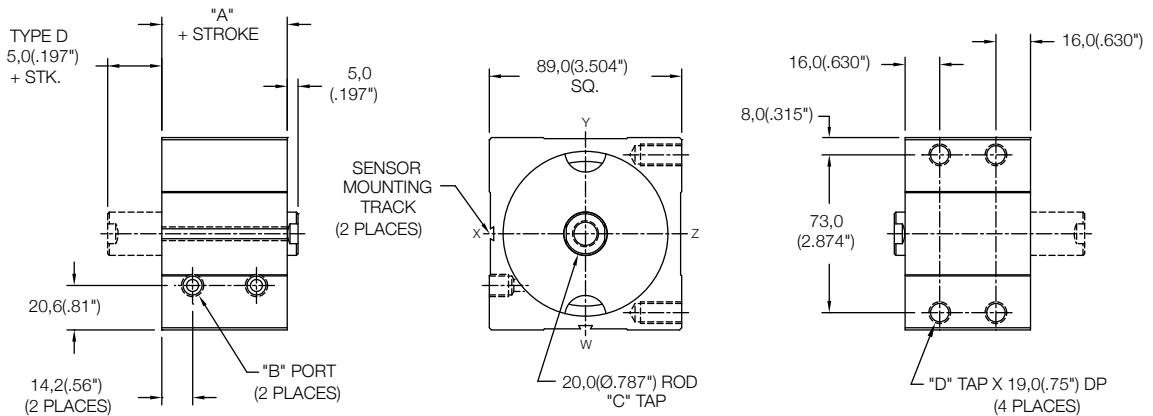
	Standard Threads	"EM" Option
"B"	G1/8 PORT	1/8-27
"C"	M12X1,75	1/2-13
"D"	M10X1,5	3/8-24



Magnetic Side Mount Cylinder "MS"

MODEL	TYPE	STANDARD STROKES	"A"	PISTON AREA
LS	...D	20mm - 100mm	43,0(1.69")	PUSH 45,6 cm ² (7.07 in ²)
LE	-	10mm - 100mm	53,0(2.09")	PULL 42,46 cm ² (6.59 in ²)
LH	...D	5mm - 100mm	63,0(2.48")	PULL 42,46 cm ² (6.59 in ²)

	Standard Threads	"EM" Option
"B"	G1/8 PORT	1/8-27
"C"	M12X1,75	1/2-13
"D"	M10X1,5	3/8-24



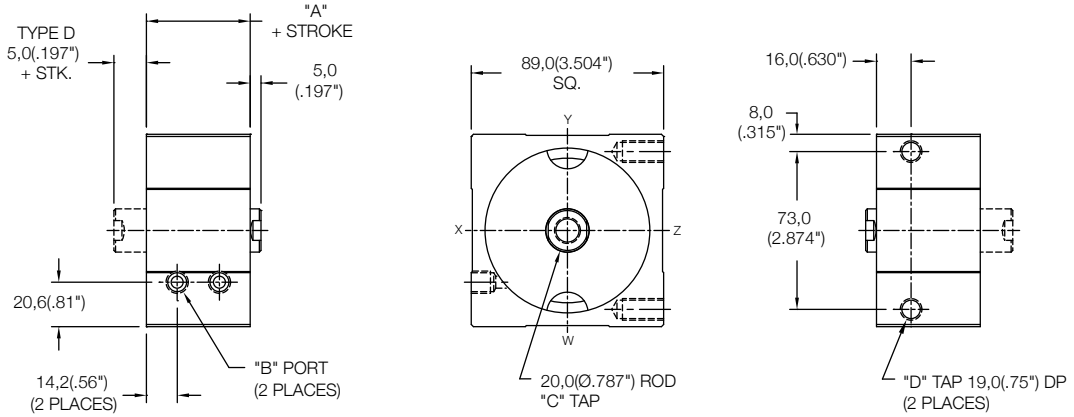
SENSORS SOLD SEPARATELY
SKS, SKP, SCS, SCP - SOLID STATE
LIMIT SENSORS (SEE PAGE 88)

- EM - INCH THREADS & PORT OPTIONS
- HS - HIGH TEMPERATURE SEALS OPTION: AVAILABLE ON LE AND LH MODELS ONLY (SEE PAGE 97)
- PE - PORT ENLARGEMENT (AVAILABLE W/ "EM" OPTION ONLY = 1/4-18 NPT PORTS)
- RE - ROD EYE (SEE PAGE 96)
- RS - MALE STUD FOR ROD END (SEE PAGE 96)
- RF, RH, RN, RT, RV, RY - ROD EXTENSIONS (SEE PAGE 96)
- SH - HYDRAULIC OPTION (35 BAR 500 PSI) (SEE PAGE 97)
- UB, UF, UR - URETHANE SHOCK PAD OPTION (SEE PAGE 97)

Non Magnetic Side Mount Cylinder "MS"

MODEL	TYPE	STANDARD STROKES	"A"	PISTON AREA
LS	_,D	10mm - 20mm	38,0(1.50")	PUSH 45,6 cm ² (7.07 in ²)
LE	-	5mm - 10mm	48,0(1.89")	PULL 42,46 cm ² (6.59 in ²)

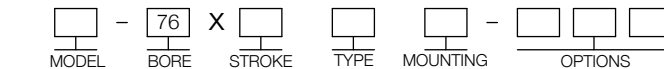
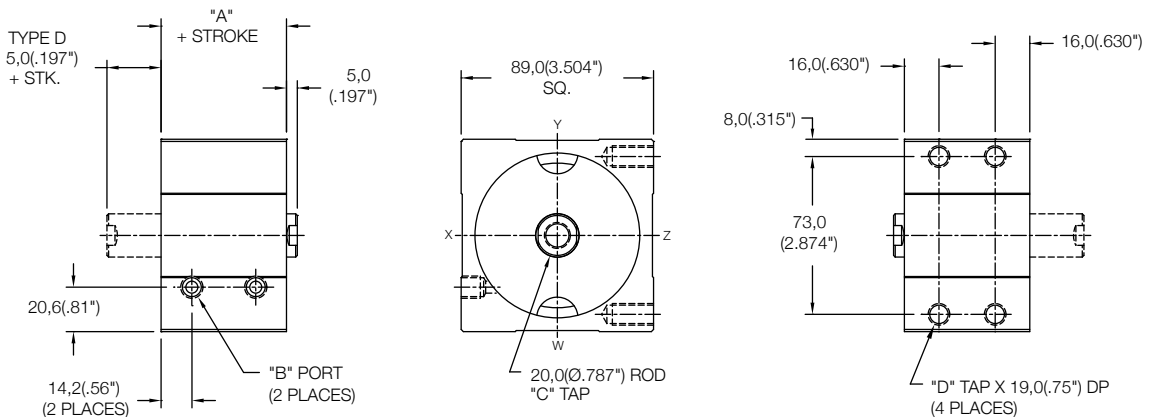
	Standard Threads	"EM" Option
"B"	G1/8 PORT	1/8-27
"C"	M12X1,75	1/2-13
"D"	M10X1,5	3/8-24



Non Magnetic Side Mount Cylinder "MS"

MODEL	TYPE	STANDARD STROKES	"A"	PISTON AREA
LS	_,D	25mm - 100mm	38,0(1.50")	PUSH 45,6 cm ² (7.07 in ²)
LE	-	15mm - 100mm	48,0(1.89")	PULL 42,46 cm ² (6.59 in ²)
LH	_,D	5mm - 100mm	58,0(2.28")	PULL 42,46 cm ² (6.59 in ²)

	Standard Threads	"EM" Option
"B"	G1/8 PORT	1/8-27
"C"	M12X1,75	1/2-13
"D"	M10X1,5	3/8-24



MODEL
LS
LE
LH

5mm - 100mm STROKE
(SEE STROKE RANGE)

BLANK - NO CODE, DOUBLE ACTING, SINGLE ROD
D - DOUBLE ACTING, DOUBLE ROD

MS - SIDE MOUNT
FE - FLANGE ON END
FS - FLANGE ON SIDE
(SEE PAGE 93)

EM - INCH THREADS & PORT OPTIONS

HS - HIGH TEMPERATURE SEALS OPTION:
AVAILABLE ON LE AND LH MODELS ONLY
(SEE PAGE 97)

PE - PORT ENLARGEMENT (AVAILABLE W/
"EM" OPTION ONLY = 1/4-18 NPT PORTS)

RE - ROD EYE
(SEE PAGE 96)

RS - MALE STUD FOR ROD END
(SEE PAGE 96)

RF, RH, RN, RT, RV, RY - ROD EXTENSIONS
(SEE PAGE 96)

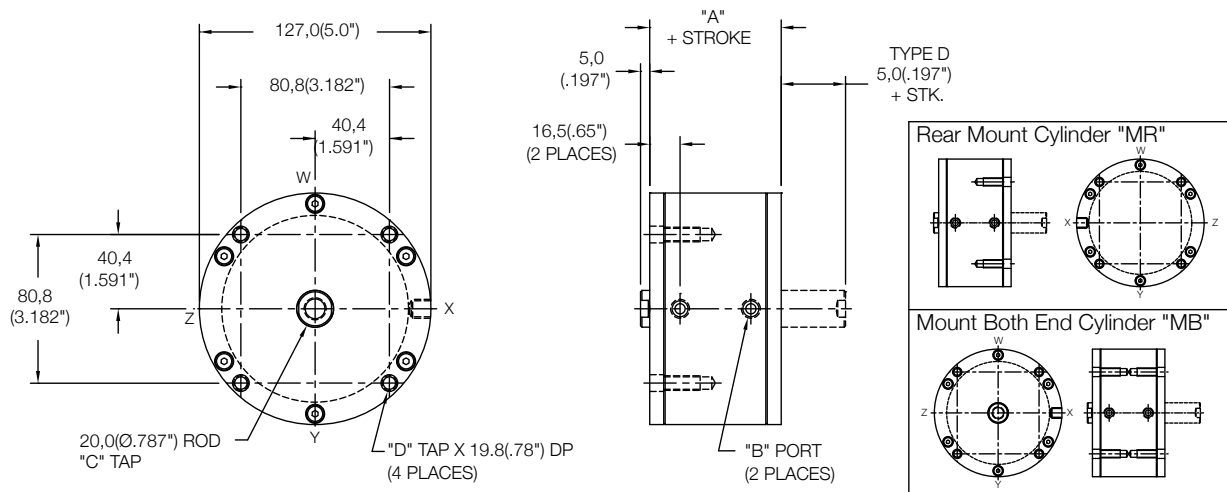
SH - HYDRAULIC OPTION (35 BAR 500 PSI)
(SEE PAGE 97)

UB, UF, UR - URETHANE SHOCK PAD OPTION
(SEE PAGE 97)

Non Magnetic Front Mount Cylinder "MF"

MODEL	TYPE	STANDARD STROKES	"A"	PISTON AREA
LS	...D	10mm - 100mm	41,5(1.63")	PUSH 81,07 cm ² (12.57 in ²)
LE	...	5mm - 100mm	51,5(2.03")	PULL 77,93 cm ² (12.09 in ²)
LH	...D	5mm - 100mm	61,5(2.42")	PULL 77,93 cm ² (12.09 in ²)

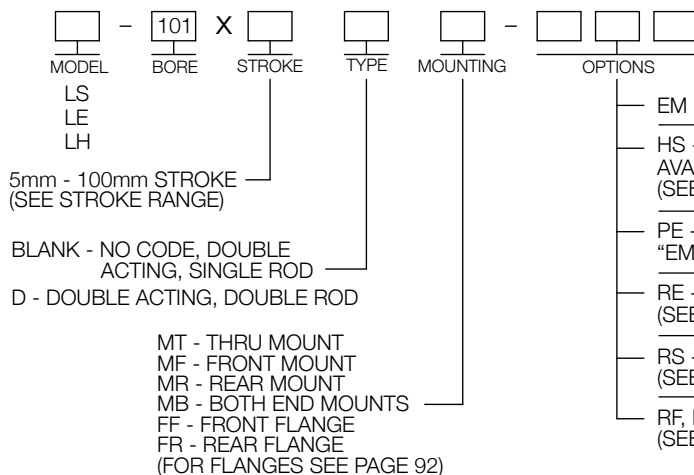
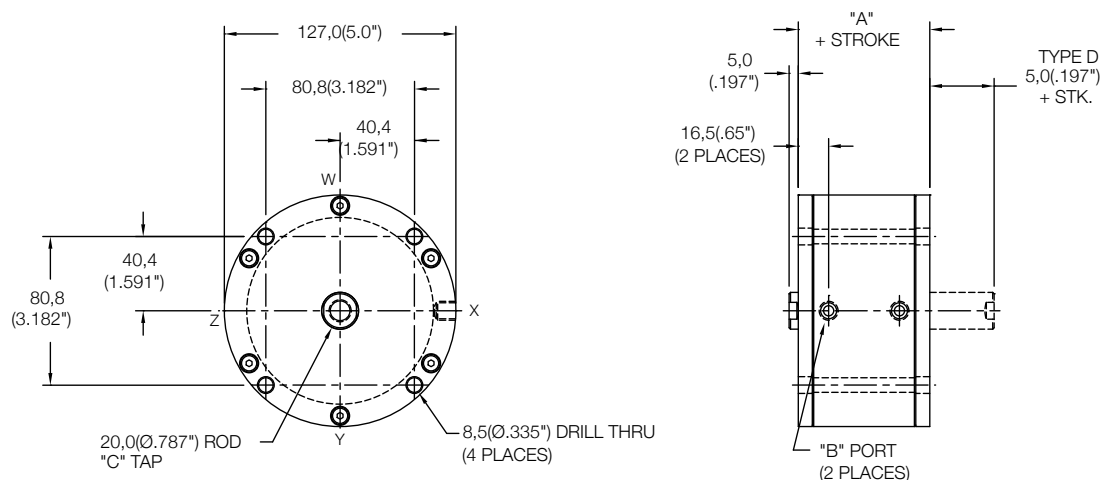
	Standard Threads	"EM" Option
"B"	G1/8 PORT	1/8-27
"C"	M12X1,75	1/2-13
"D"	M8X1,25	5/16-18



Non Magnetic Thru Mount Cylinder "MT"

MODEL	TYPE	STANDARD STROKES	"A"	PISTON AREA
LS	...D	10mm - 50mm	41,5(1.63")	PUSH 81,07 cm ² (12.57 in ²)
LE	...	5mm - 40mm	51,5(2.03")	PULL 77,93 cm ² (12.09 in ²)
LH	...D	5mm - 30mm	61,5(2.42")	PULL 77,93 cm ² (12.09 in ²)

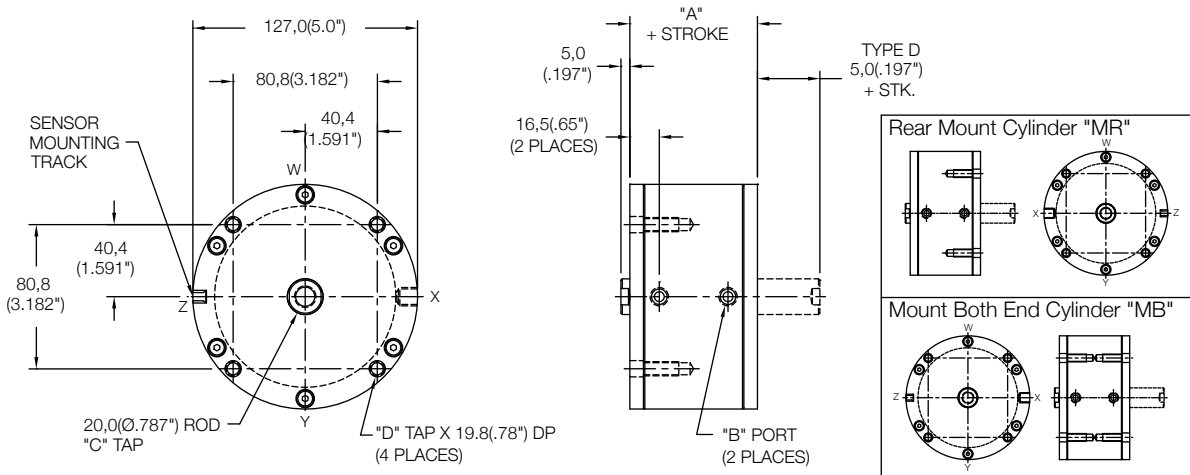
	Standard Threads	"EM" Option
"B"	G1/8 PORT	1/8-27
"C"	M12X1,75	1/2-13



Magnetic Front Mount Cylinder "MF"

MODEL	TYPE	STANDARD STROKES	"A"	PISTON AREA
LS	_,D	10mm - 100mm	51,5(2.03")	PUSH 81,07 cm ² (12.57 in ²)
LE	_	5mm - 100mm	61,5(2.42")	PULL 77,93 cm ² (12.09 in ²)
LH	_,D	5mm - 100mm	71,5(2.82")	PULL 77,93 cm ² (12.09 in ²)

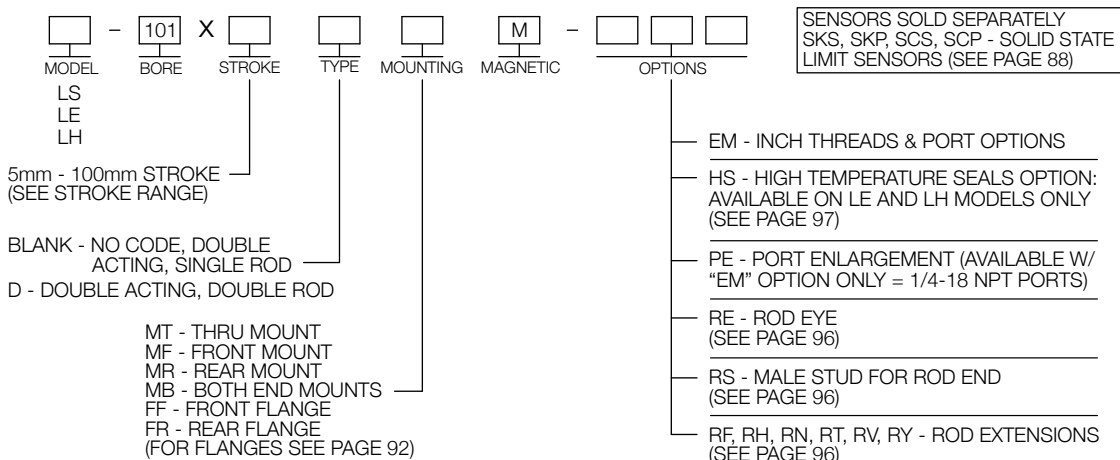
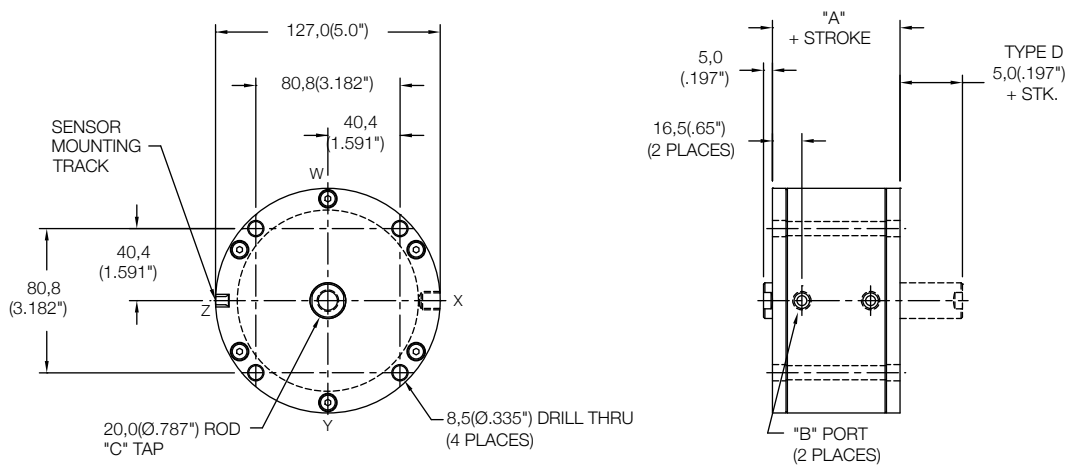
	Standard Threads	"EM" Option
"B"	G1/8 PORT	1/8-27
"C"	M12X1,75	1/2-13
"D"	M8X1,25	5/16-18



Magnetic Thru Mount Cylinder "MT"

MODEL	TYPE	STANDARD STROKES	"A"	PISTON AREA
LS	_,D	10mm - 40mm	51,5(2.03")	PUSH 81,07 cm ² (12.57 in ²)
LE	_	5mm - 30mm	61,5(2.42")	PULL 77,93 cm ² (12.09 in ²)
LH	_,D	5mm - 20mm	71,5(2.82")	PULL 77,93 cm ² (12.09 in ²)

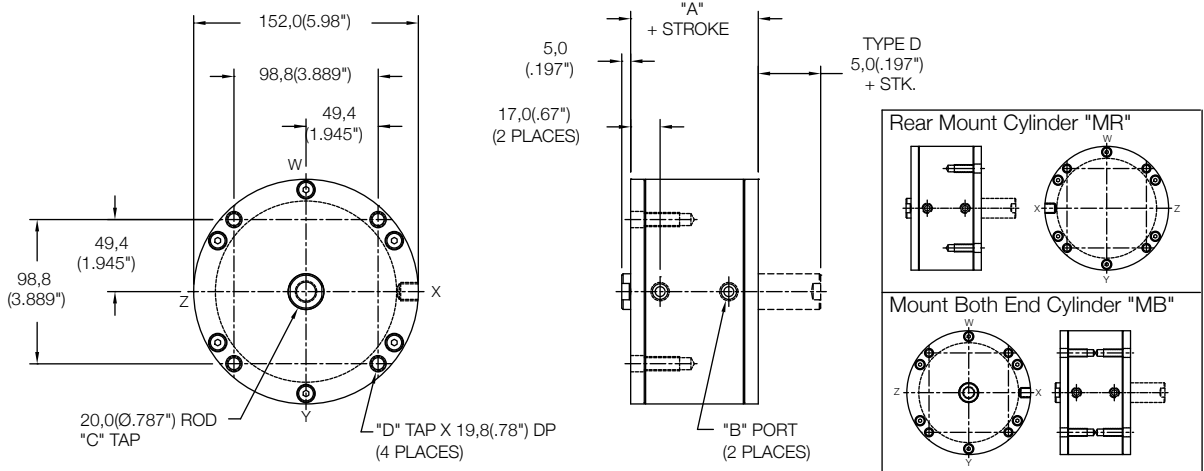
	Standard Threads	"EM" Option
"B"	G1/8 PORT	1/8-27
"C"	M12X1,75	1/2-13



Non Magnetic Front Mount Cylinder "MF"

MODEL	TYPE	STANDARD STROKES	"A"	PISTON AREA
LS	_D	10mm - 100mm	44,5(1.75")	PUSH 126,7 cm ² (19.6 in ²)
LE	-	5mm - 100mm	54,5(2.15")	
LH	_D	5mm - 100mm	64,5(2.54")	PULL 123,5 cm ² (19.1 in ²)

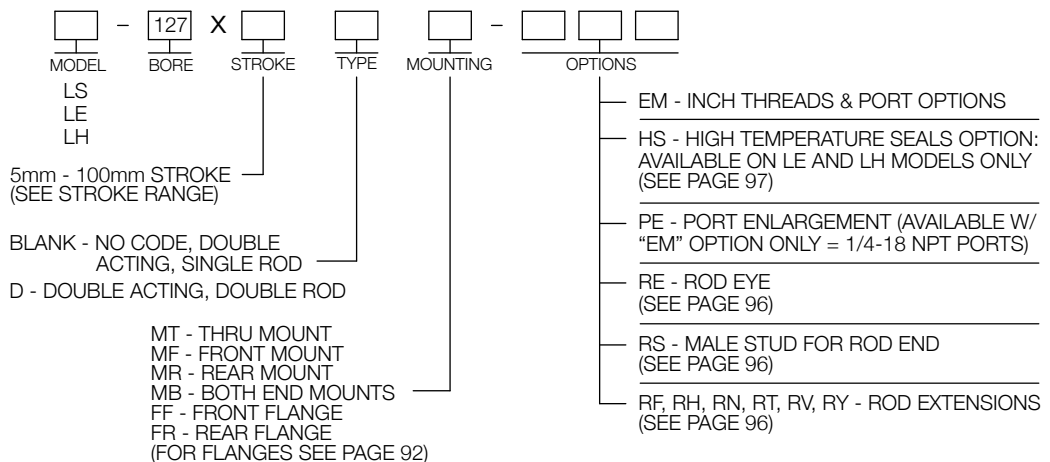
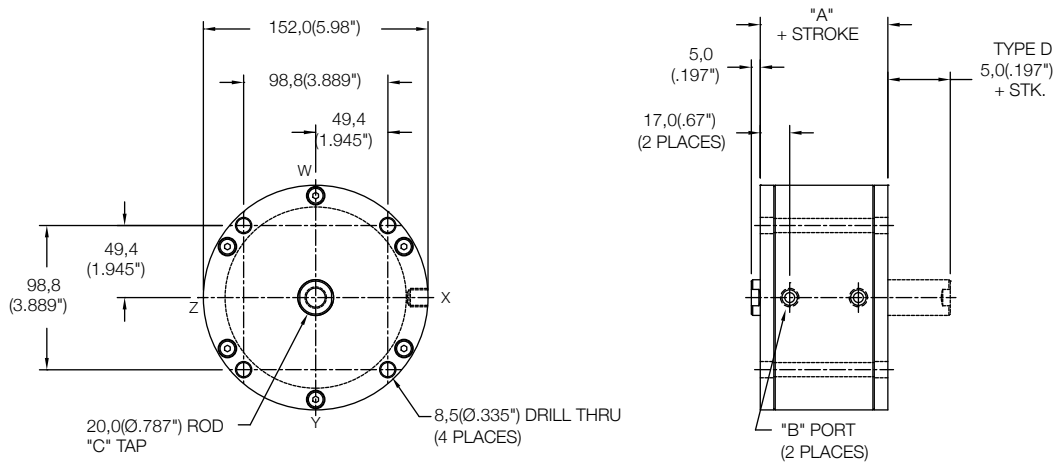
	Standard Threads	"EM" Option
"B"	G1/8 PORT	1/8-27
"C"	M12X1,75	1/2-13
"D"	M8X1,25	5/16-18



Non Magnetic Thru Mount Cylinder "MT"

MODEL	TYPE	STANDARD STROKES	"A"	PISTON AREA
LS	_D	10mm - 45mm	44,5(1.75")	PUSH 126,7 cm ² (19.6 in ²)
LE	-	5mm - 35mm	54,5(2.15")	
LH	_D	5mm - 25mm	64,5(2.54")	PULL 123,5 cm ² (19.1 in ²)

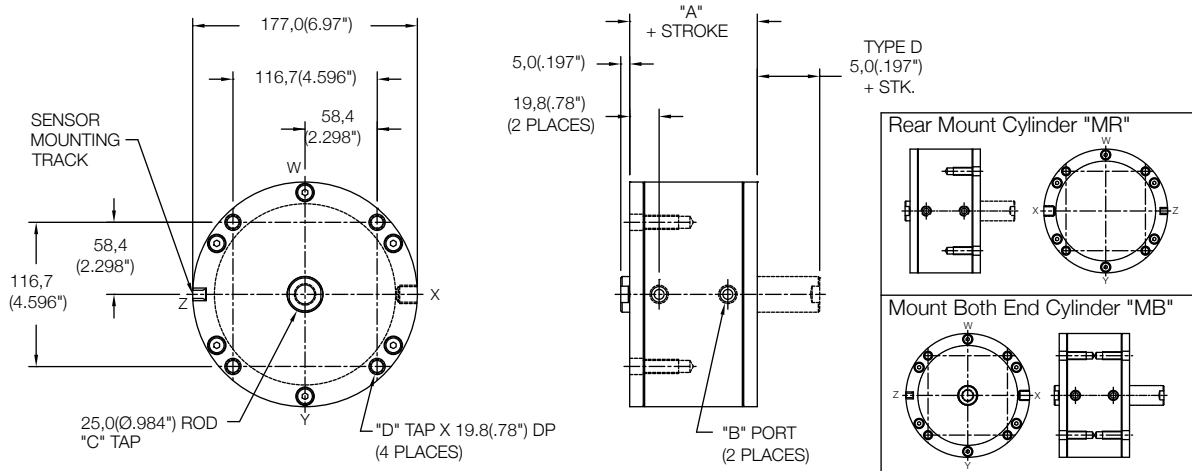
	Standard Threads	"EM" Option
"B"	G1/8 PORT	1/8-27
"C"	M12X1,75	1/2-13



Magnetic Front Mount Cylinder "MF"

MODEL	TYPE	STANDARD STROKES	"A"	PISTON AREA
LS	_,D	10mm - 100mm	61,0(2.40")	PUSH 181,46 cm ² (28.2 in ²) PULL 176,55 cm ² (27.45 in ²)

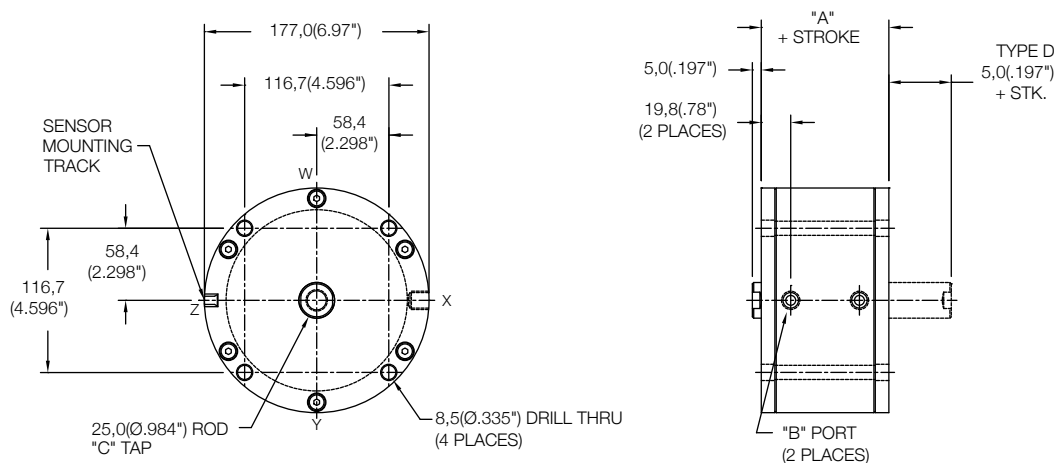
	Standard Threads	"EM" Option
"B"	G1/8 PORT	1/8-27
"C"	M16X2,0	5/8-18
"D"	M8X1,25	5/16-18



Magnetic Thru Mount Cylinder "MT"

MODEL	TYPE	STANDARD STROKES	"A"	PISTON AREA
LS	_,D	10mm - 30mm	61,0(2.40")	PUSH 181,46 cm ² (28.2 in ²) PULL 176,55 cm ² (27.45 in ²)

	Standard Threads	"EM" Option
"B"	G1/8 PORT	1/8-27
"C"	M16X2,0	5/8-18



<table border="0"> <tr> <td>MODEL</td> <td>-</td> <td>152</td> <td>X</td> <td>STROKE</td> <td>TYPE</td> <td>MOUNTING</td> <td>MAGNETIC</td> <td>-</td> <td>OPTIONS</td> </tr> <tr> <td>LS</td> <td></td> <td></td> <td></td> <td></td> <td></td> <td></td> <td>M</td> <td></td> <td></td> </tr> </table>	MODEL	-	152	X	STROKE	TYPE	MOUNTING	MAGNETIC	-	OPTIONS	LS							M			<p>10mm - 100mm STROKE (SEE STROKE RANGE)</p> <p>BLANK - NO CODE, DOUBLE ACTING, SINGLE ROD</p> <p>D - DOUBLE ACTING, DOUBLE ROD</p> <p>MT - THRU MOUNT MF - FRONT MOUNT MR - REAR MOUNT MB - BOTH END MOUNTS FF - FRONT FLANGE FR - REAR FLANGE (FOR FLANGES SEE PAGE 92)</p>	<p>SENSORS SOLD SEPARATELY SKS, SKP, SCS, SCP - SOLID STATE LIMIT SENSORS (SEE PAGE 88)</p> <p>EM - INCH THREADS & PORT OPTIONS</p> <p>HS - HIGH TEMPERATURE SEALS OPTION: AVAILABLE ON LE AND LH MODELS ONLY (SEE PAGE 97)</p> <p>PE - PORT ENLARGEMENT (AVAILABLE W/ "EM" OPTION ONLY = 1/4-18 NPT PORTS)</p> <p>RE - ROD EYE (SEE PAGE 96)</p> <p>RS - MALE STUD FOR ROD END (SEE PAGE 96)</p> <p>RF, RH, RN, RT, RV, RY - ROD EXTENSIONS (SEE PAGE 96)</p>
MODEL	-	152	X	STROKE	TYPE	MOUNTING	MAGNETIC	-	OPTIONS													
LS							M															