

PART8

CONTROL BOX



CONTROL BOX

CONTROL BOX

OVERVIEW

Waterproof design Aluminum die-casting

IP-Rating : IP66



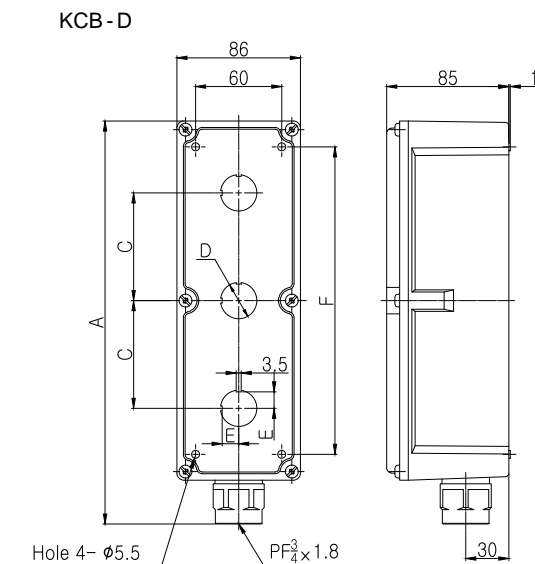
CLASSIFICATION

KCB - 22 3 D

① Hole Diameter	22	Ø22mm
	25	Ø25mm
	30	Ø30mm
② Number of holes	1	1 hole
	2	2 holes
	3	3 holes
	4	4 holes

CONTROL BOX

Dimensions



Model	A	B	C	D	E	F	Weight
KCB - 221D	180.5	150	center	22.3	10	114	614g
KCB - 222D	180.5	150	50	22.3	10	114	606g
KCB - 223D	280.5	250	75	22.3	10	214	863g
KCB - 224D	280.5	250	50	22.3	10	214	853g

Model	A	B	C	D	E	F	Weight
KCB - 251D	180.5	150	center	25.3	11.5	114	603g
KCB - 252D	180.5	150	50	25.3	11.5	114	602g
KCB - 253D	280.5	250	75	25.3	11.5	214	866g
KCB - 254D	280.5	250	50	25.3	11.5	214	864g

Model	A	B	C	D	E	F	Weight
KCB - 301D	180.5	150	center	30.3	14	114	602g
KCB - 302D	180.5	150	50	30.3	14	114	601g
KCB - 303D	280.5	250	75	30.3	14	214	856g
KCB - 304D	280.5	250	50	30.3	14	214	855g

SQUARE
LIGHT

TOWER
LIGHT

BUZZER

TIMER &
COUNTER

RELAY

SOCKETS

TERMINAL
BLOCKS

CONTROL
BOX

KOINOX