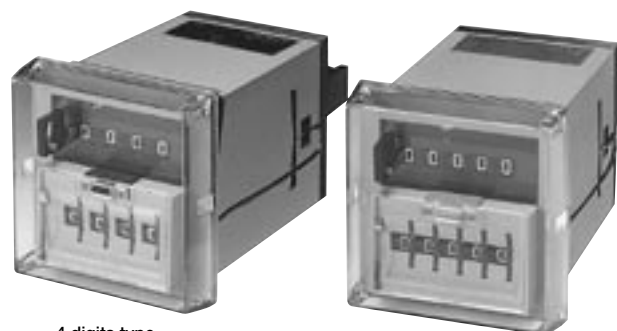


# Free Preset Type Electromagnetic Counter

## AC-NK SERIES

Setting value can be changed and read during counting. Free-preset type

- Setting value can be changed without reset during counting.
- Setting value can be read during counting.
- Digital switch is easy to preset.
- Coil doesn't burn out even long use because overheat prevention circuit for reset magnet provides.(Only for AC-NKBA4, AC-NKBA5, 100VAC, 200VAC)
- Reset button provides lock function. There is no wrong operation by careless mistake.
- Surge absorber circuit provides.(For 100VAC, 200VAC)



4 digits type

5 digits type

### Model No.

Model No.	AC-NKB4			AC-NKBA4		
Power source	100VAC	200VAC	24VDC	100VAC	200VAC	24VDC

Model No.	AC-NKB5			AC-NKBA5		
Power source	100VAC	200VAC	24VDC	100VAC	200VAC	24VDC

### Specifications

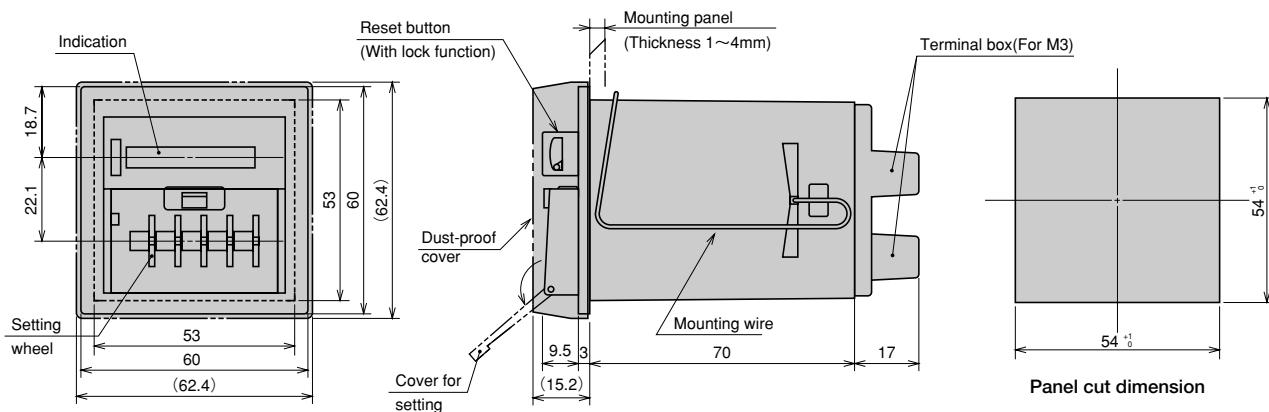
Type	Increment type preset counter			
Model No.	AC-NKB4	AC-NKBA4	AC-NKB5	AC-NKBA5
Power source	DC power: 24VDC, AC power: 100VAC, 200VAC(50/60Hz)			
Allowable fluctuation rate	-10 to +10%			
Allowable ripple rate	48% or less(For DC power)			
Counting	1/2 counting when power-ON, 1/2 counting when power-OFF			
Numbers of digit	4		5	
Counting Speed	10Hz Both ON time and OFF time: 50msec(Min.)			
Rating of conducting time	Continuous conducting			
Power consumption	3.6W(For DC power), 5VA(For AC power)			
Life	0.1 billion count			
Counting indication	White on black frosted(3.8mm×2.6mm)			
Control output	1C relay(Microswitch)			
Contact rating*	250VAC 5A(Resistance load)			
Operation	Operating when preset value and returning by reset			
Life	0.5 million times(When rating load)			
Reset	Manual	Electromagnetic/Manual	Manual	Electromagnetic/Manual
Manual reset	By pushing button(Reset button with lock function)			
Electro-magnetic reset	Rating of conducting time: short-time rating, Max. conducting time: 60sec. [Coil overheat prevention circuit provides for 100VAC and 200VAC] Min. conducting time: 0.3sec.(Recommended conducting time: 0.5 to 1sec.) Conducting rate: 5% or less(Interval between resets is 20times or more of conducting time) Min.reset interval: 20sec. (Min.reset interval between resets) Interval time: 0.2sec. (Time from reset to next reset) Power consumption: 16W or less(For DC power), 25VA or less(For AC power)			
Reset life	1 million times			
Connection	M3 screw terminal(With self-up washer)			
Ambient temperature/humidity	-5 to +40°C, 85%RH or less(Not icing)			
Mounting	Panel mounting			
Case material/color	ABS resin, Munsell N-7(Light gray)			
Weight	260g	290g	260g	290g

\*Contact capacity to open/close depends on load.(Ex. Induced load 250VAC 4A, Motor load 250VAC 0.7A) Min. applicable load: 0.8W(When 30V or less), Min. voltage: 5V.

## Adapter(Optional)

Type	Model No.
Dust-proof cover with reset button	CB-18

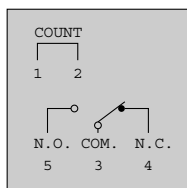
### External dimensions



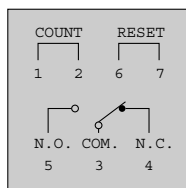
Note) This figure shows 5-digit type. 4-digit type is the same as 5-digit type except for numbers of setting wheel.

### Connection

#### [Terminal arrangement]



AC-NKB4  
AC-NKB5



AC-NKBA4  
AC-NKBA5

**Caution** Use round solderless terminal for M3 when connection.

#### [Guide for circuit design]

- When counting speed is 5Hz or more, set make-ratio(Ratio between ON time and OFF time) to 1:1. When 5Hz or less, set ON approx. 0.1sec because it is easy to read counting value.

