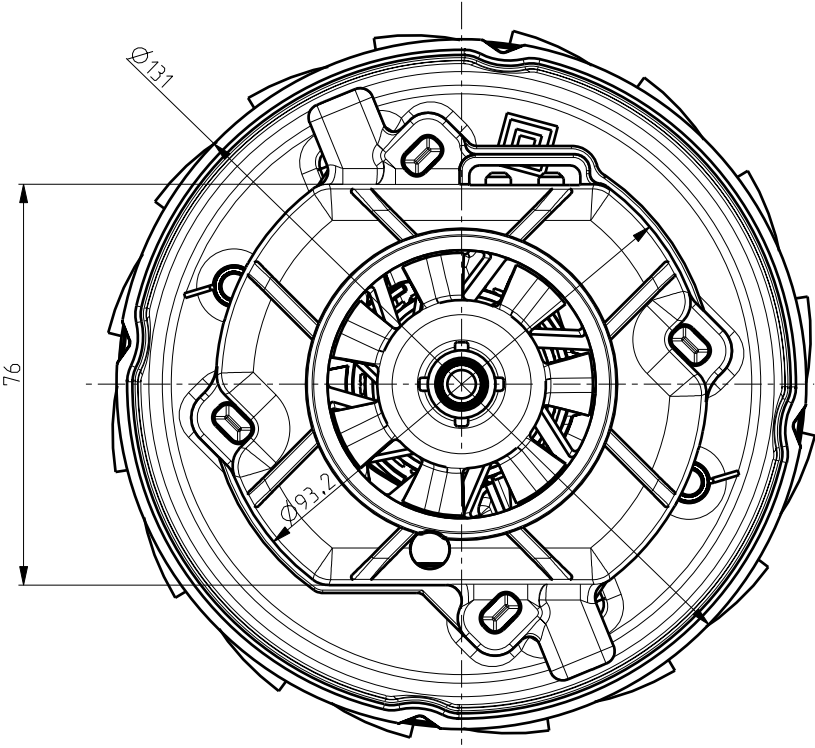
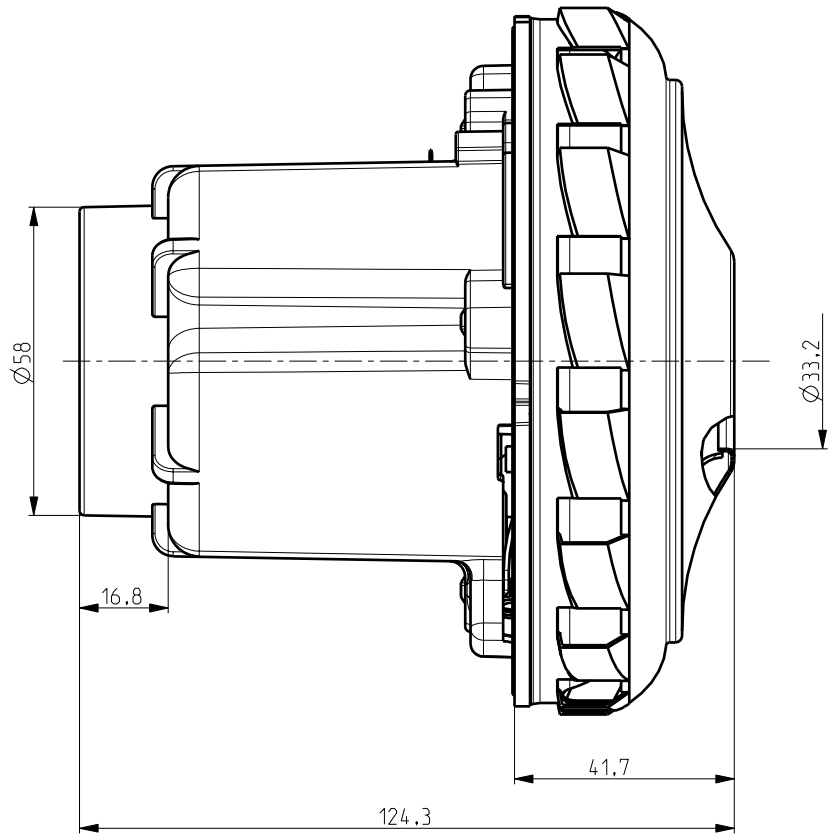


Izdelano s CAD/ProEngineer - ročno spreminjanje ni dovoljeno! Vsak prenos tretjim osebam ali uporaba v nedogovorjene namene ni dovoljena po zakonu o avtorskih pravicah.
 Made with CAD/ProEngineer - changing is not allowed! Any unauthorized copying of this drawing or unauthorized distribution of the information contained herein is prohibited.

1		2		3		4		5		6		7		8		9	
G	NAPETOST	230 V		DVOJNA IZOLACIJA DOUBLE INSULATED													
	VOLTAGE	230 V															
	FREKVENCA	50 Hz															
	FREQUENCY	50 Hz															
	NAZIVNA MOČ	1100 W															
F	NOMINAL POWER	1100 W															
	MAKSIMALNA MOČ	1200 W															
	MAXIMAL POWER	1200 W															



Oznake natisnjene na SE:
Information stamped on VCM:

DOMEL 467.3.245	CE
3.755.0098	
230 V 50 Hz	
L.C.L.H	
YYWWD S NNNN	
MADE IN SLOVENIA	

(B1)

OSNOVNE ZNAČILNOSTI		TYPICAL CHARACTERISTICS	
IZVEDBA	ENOSTOPENJSKA	FAN SYSTEM	SINGLE STAGE
VLEŽAJENJE	DVA KROGLIČNA LEŽAJA	BEARINGS	DUAL BALL
VRSTA PRETOKA	MIMO MOTORJA	DISCHARGE	BY PASS
SMER VRTENJA	DESNA	DIRECTION OF ROTATION	CW

Tolerance odprtih mer Tolerances without individual indications		Površinska hrapavost Surface Finishing		Merilo Scale 1:2		Original format ISO 5457 - A3	
ISO 2768 - m				Gradivo / Material			
Izdelal Designed		Datum/Date		Ime/Name		Naziv Title	
17.01.10		Novinc M.		SESALNA ENOTA VACUUM CLEANER MOTOR			
Pregl. Verified		25.01.11					
B1 9704		25.01.11		Novinc M.		DOMEL®	
A0 9521		07.10.10		Novinc M.			
Ozn. Mark		Št. obvestila No. of notice		Datum Date		Ime Name	
Otoki 21. 4226		Zelezniki, Slovenija		Koda Code		List Sheet	
						3+	
						Stran Page	
						1	
						467.3.245	
4673245000_SESALNA_ENOTA							