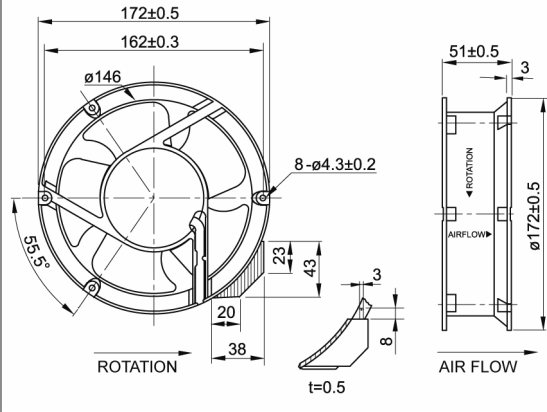
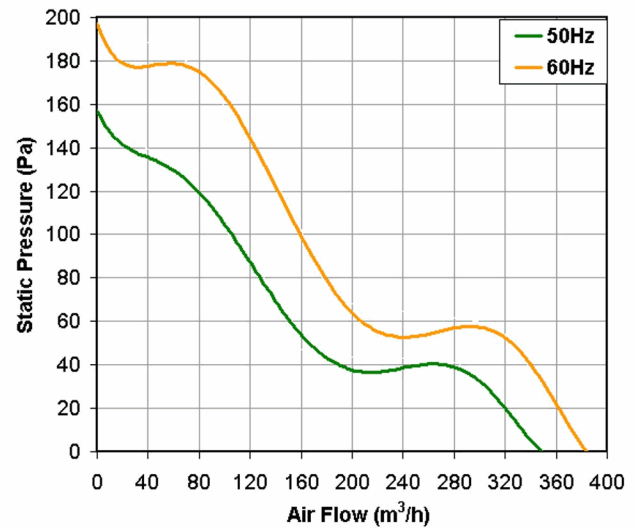


"C18CF" SERIES COSTECH FANS

Description: **Axial fan a.c. 172X172x51mm**



- Casing material:** Black varnished aluminum
- Impeller material:** Black fibreglass reinforced plastic (PBT PC) UL 94V-0
- Protection degree:** IP20, according to EN 60529 standard
- Fixing system:** by No 4 M4 screws
- Motor protection:** thermal
- Storage temperature:** from -40°C to +80°C
- Rated temperature range:** from -40°C to +70°C
- Lifetime L10 at 40°C:** 40,000 h
- Electrical connection:** flat terminals 110 series (2.8x0.5 mm)
- Approvals:** UL E223195
- Weight:** 0.82 kg



Model	Bearing	Voltage	Frequency	Rated Current	Rated Power	Max Air Flow**	Static Pressure	Noise	RPM	Approvals
		(V)	(Hz)	(A)	(W)	(m3/h)	(Pa)	[db(A)]	(rpm)	
C18C12HTBF00	Ball	115 V a.c.	50/60	0.260/0.250	30/30	348/384	157/197	50.0/55.0	2,850/3,400	CE; cURus
C18C23HTBF00	Ball	230 V a.c.	50/60	0.120/0.120	29/29	348/384	157/197	50.0/55.0	2,850/3,400	CE; cURus

All specifications, data and drawing are subject to change without notice and are approximate. Please refer to our terms of sales including our warranty and limited liabilities clauses.