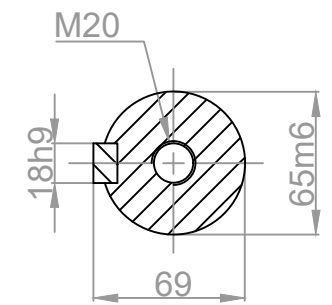


SECTION A-A



All dimensions are in mm and according to IEC 60072

Motor:		Feet:	B3	Customer:			Projection:	
		Flange:	None	Quotation number:				
Mounting possibilities:		Dimensions are valid for motor type:		Article number:		Drawn by:	JL	 US
	IM B3 B6 B7 B8 V5 V6	3SIE 250M4		Special remarks:		Approved by:	OB	
	IM 1001 1051 1061 1071 1011 1031	3SIE 250M6				Date:	21-11-2023	
		3SIE 250M8				Drawing number:	1425M004035IE3B.R0	Sheet 1/1