

Bälz-electrodyn - control valves and control actuators**3. Short presentation of all 16 available 2-way control valves from baelz 185 to baelz 360****3.1 Valve serie baelz 185 and baelz 185-VA (completely in stainless steel) ND 15 + ND 25 NP 40**

185-E07-3.JPG

Fig. 15 baelz 185 with 373-E07-260st

185-P21-88-2EZ.JPG

Fig. 16 baelz 185 with 373-P21-88-2EZ

The microflow multipurpose control valve covers the following features:

- body in stainless steel with steel plugs (standard) or SS plugs
- incorporated strainer
- possibility to provide 2 manual isolating valve pilots
- can be used as (Fig. 19):
 - hand valve
 - motorized valve
 - pneumatic valve
 - solenoid valve
- available with 10 different Kvs-values in ND 15: 0,025 / 0,04 / 0,1 / 0,12 / 0,16 / 0,3 / 0,6 / 1 / 1,2 / 1,4

Rights reserved to make technical changes

Bälz-electrodyn - control valves and control actuators

Checklist:

ND: 15 + 25
 NP: 16 / 25 / 40
 standard body:
 steel + stainless steel
 special body:
 completely stainless steel
 temperatures:
 min.: -10°C
 max.: +240°C
 speciality: incorporated
 strainer; 2 manual
 valve pilots baelz 260st

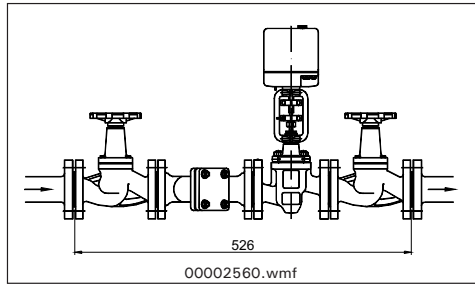


Fig. 17
 conventional pipe work with 4 units
 face - to - face length: 526 mm

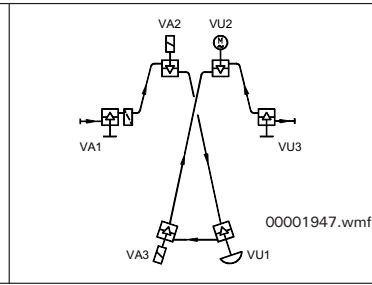


Fig. 18
 185 pipe work, 1 unit instead of 4
 face - to - face length: 130 mm

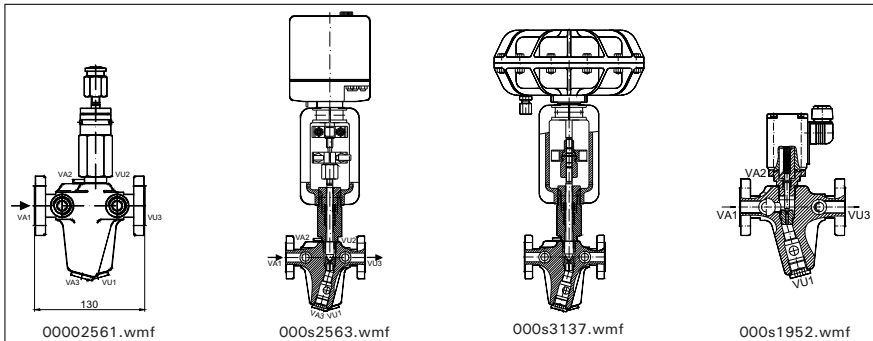


Fig. 19
 body lay - out 185-373-E02 185-373-P21 185-266st
 ND 15 motorized valve pneumatic valve solenoid valve

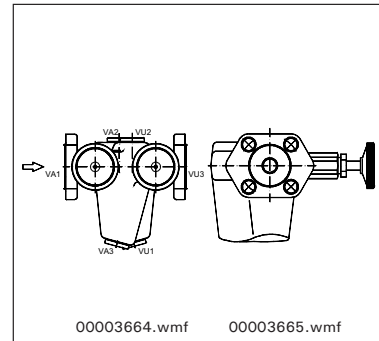


Fig. 20
 185-260st-260st
 with 2 manual valve pilots
 (to clean strainer)

Text for quotations + orders:

2-way multi-purpose control valve with electric*1 or with pneumatic actuator*2 and i/p positioner, with incorporated strainer

baelz 185-373-XX ND 15, NP 40

Kvs = 0.025 / 0.04 / 0.1 / 0.12 / 0.16 / 0.3 / 0.6 / 1.0 / 1.2 / 1.4*3

with parabolic plug

Kvso = 0.004%

body material: stainless steel X20Cr13 – 1.4021

trim in stainless steel; stuffing box: V-rings in PTFE

max. 240°C/40 bar; stroke: 16 mm

flow m³/h or kg/h; pressure drop Δp₁₀₀ = bar

max. closing pressure Δp₀ = 40 bar

with motorized actuator for open – stop – close control

baelz 185-373-E07-20-18-S21-230

Order No.: 185-002 + 373-E07-20-18-301

with motorized actuator for control signal 0...10 V or 4...20 mA

baelz 185-373-E07-20-18-S21-Fg5kΩ-230-1020-230-M

Order No.: 185-002 + 373-E07-20-18-411 + 1020-051 + 1020-151-M230/115

with pneumatic actuator and i/p positioner

baelz 185-373-P21-6-Fo-86/IP8000-M

Order No.: 185-002 + 373-P21-017 + 86-002

Supplement completely in stainless steel baelz 185-VA

*1

electric actuator
 see 373-EXX page 81 - 90

*2

pneumatic actuator
 see 373-PXX page 104 - 110

*3

available Kvs values
 see page 5

ND	15										25				
Kvs	0,025	0,04	0,10	0,12	0,16	0,3	0,6	1,0	1,2	1,4	1,4	2,0	3,0	5,0	

Rights reserved to make technical changes