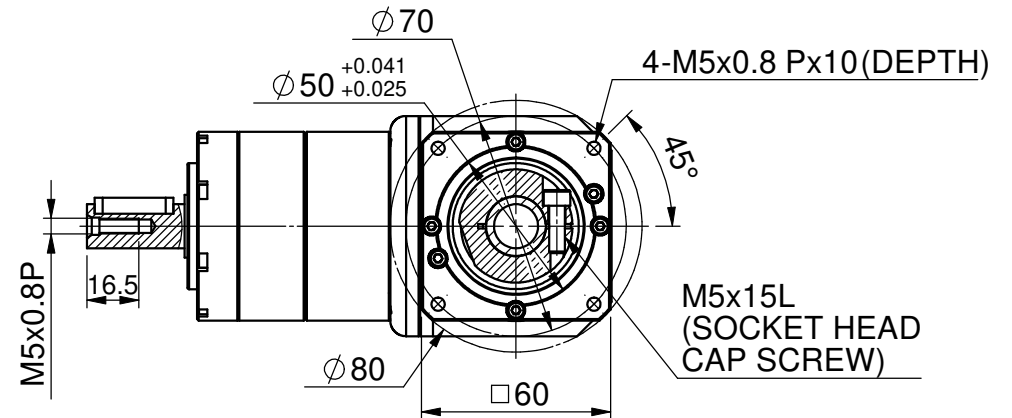
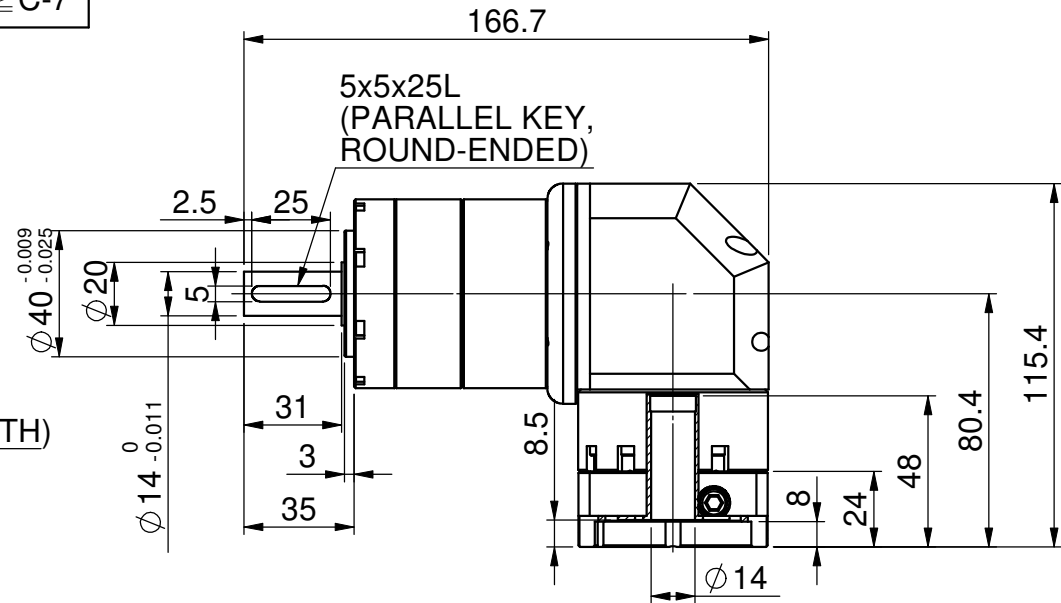
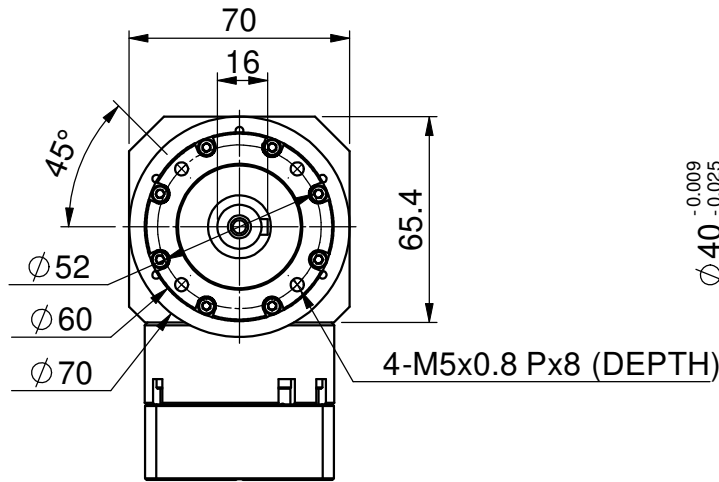


COMPATIBLE MOTOR DIMENSIONS

A	B	C	D	E	F	H	L
≤ 14	50	≤ 47	≤ 7	70	5.1~6.0	55~70	≥ C-7

※BUSHING WILL BE SUPPLIED WHEN THE MOTOR SHAFT DIAMETER IS SMALLER THAN 14



ADAPTER PART No
234T122207

SPECIFICATIONS ARE SUBJECT TO
CHANGE WITHOUT PRIOR NOTICE

Unit	mm	Model Name	PNSR60 2 STAGE
Project		Drawing No.	2Z2XD.050060.022



SESAME MOTOR CORP.